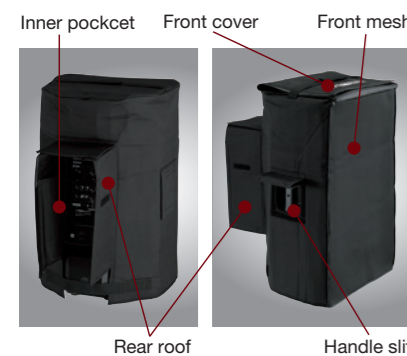


General Specifications		CBR10	CBR12	CBR15
System Type		2-way Speaker, Bass-reflex Type		
Frequency Range (-10dB)		50 Hz - 20 kHz	48 Hz - 20 kHz	46 Hz - 20 kHz
Coverage Angle (Horizontal x Vertical)		H90° x V60° Constant Directivity Horn		
Maximum SPL(Calculated, 1m, Peak)		123 dB SPL	125 dB SPL	126 dB SPL
Crossover Frequency		2.8 kHz	2.1 kHz	2.0 kHz
Nominal Impedance		8Ω	8Ω	8Ω
Power Rating	NOISE	175 W	175 W	250 W
	PGM	350 W	350 W	500 W
	MAX	700 W	700 W	1000 W
Sensitivity (1W, 1m)		94 dB SPL	96 dB SPL	96 dB SPL
Transducers	LF	10" Cone, 2" Voice Coil	12" Cone, 2" Voice Coil	15" Cone, 2.5" Voice Coil
	HF	1" Voice Coil, Compression Driver	1.4" Voice Coil, Compression Driver	
Material, Color		Plastic, Black		
Floor Monitor Angle		50°	50° Symmetrical	
Dimensions (WxHxD, Including Rubber Feet)		308 x 493 x 289 mm (12.1" x 19.4" x 11.4")	376 x 601 x 348 mm (14.8" x 23.7" x 13.7")	455 x 700 x 378 mm (17.9" x 27.6" x 14.9")
Net Weight		9.4 kg (20.7 lbs)	13.9 kg (30.6 lbs)	17.7 kg (39.0 lbs)
Handles		Top x 1	Side x 2	
Pole Socket		35mm (Bottom x 1)		
Rigging Points		Bottom x 2 (Fit for M8 x 15mm eyebolts)	Bottom x 2, Rear x 1 (Fit for M8 x 15mm eyebolts)	
Optional Speaker Brackets		BBS251, BCS251, BWS251-300, BWS251-400		
Connectors		1/4" Phone x 1, speakON NL4MP x 1		

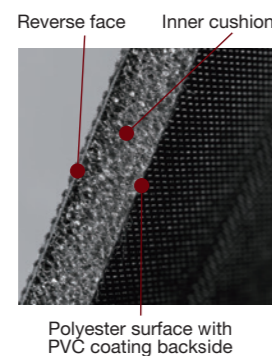
Functional Speaker Cover

Introducing Yamaha's newly designed functional speaker covers that protect your speakers from unfavorable weather conditions during outdoor performances, dusty and dirty warehouse storage, or the rigors of equipment transport on the road.

■ SPCVR-1501 on DXR15



■ Trilaminar fabric



■ SPCVR-15S01 on DXS15



Line up and Compatible Speakers

SPCVR-0801	DXR8
SPCVR-1001	DXR10, DBR10, CBR10
SPCVR-1201	DXR12, DBR12, CBR12
SPCVR-1501	DXR15, DBR15, CBR15
SPCVR-12S01	DXS12
SPCVR-15S01	DXS15

*Please visit our Web site for the latest information (<http://www.yamahaproaudio.com>)

Optional Speaker Brackets



YAMAHA CORPORATION P.O.BOX1, Hamamatsu Japan
www.yamahaproaudio.com

*All specifications are subject to change without notice. *All trademarks and registered trademarks are property of their respective owners.



P10026891

Printed in Japan



Loudspeakers

CBR Series

CBR10 CBR12 CBR15

POWER TO PLAY



The CBR Series is a new lineup of passive loudspeakers developed by adopting the extensive knowledge of speaker design and acoustic technologies that Yamaha has accrued over a long and storied history of making speakers of every kind. Combining a meticulous materials selection process, thorough customization of the audio components, and a fresh, innovative approach to speaker design, our engineering team's primary focus was to deliver high-power, high-definition sound in a highly portable and versatile design that is equally at home in front-of-house, floor monitoring, or rigged configurations.

- Custom Designed Transducers and Wide-Dispersion Constant Directivity Horn for **Powerful High-Definition Sound**
- HF Protection Function and Highly Responsive LF Unit for **Reliable Performance at Any Output Level**
- **Rugged, Highly Portable** Enclosure Design
- **Simple Connectivity**
- **Versatility** for a Variety of Applications



	Power Rating ^{*1}	Maximum SPL ^{*2}	Frequency Range	LF	HF	Coverage Angle
CBR10	700W	123dB SPL	50Hz-20kHz	10" cone	1" diaphragm 1" throat	H90°x V60°
CBR12	700W	125dB SPL	48Hz-20kHz	12" cone	1.4" diaphragm 1" throat	H90°x V60°
CBR15	1000W	126dB SPL	46Hz-20kHz	15" cone	1.4" diaphragm 1" throat	H90°x V60°

*1 Dynamic Power *2 Measured Maximum SPL (peak)

Features

Custom Designed Transducers and Wide-Dispersion Constant Directivity Horn for Powerful High-Definition Sound

CBR Series speakers come equipped with carefully selected and customized transducers that feature a highly responsive woofer and a precise 2.5" compression driver (CBR15) or 2" compression driver (CBR10 and CBR12), ensuring consistent high-definition sound with minimal distortion even at high output levels. Additionally, a newly designed wide-dispersion constant directivity horn minimizes the radiation pattern deterioration in oblique directions that more conventional horns are prone to, allowing sound to expand in a more rectangular pattern, evenly dispersing wide-frequency sound to the outer-most edges of the coverage area.



HF Protection and Highly Responsive LF Unit for Reliable Performance at Any Output Level

Have you ever blown your speakers by cranking up the output levels beyond your speakers capabilities? CBR Series speakers employ a protection function that limits excessive input to the HF unit. This valuable protection circuit affords you worry-free operation of your speakers when you need them most. Combined with a highly responsive LF unit, CBR Series speakers reliably deliver clear, precise sound at any output level.

Simple Connectivity

CBR Series speakers are equipped with one speakON jack and one 1/4" Phone jack that allow for fast and easy connectivity in both personal and professional environments.



Rugged, Highly Portable Enclosure Design

CBR Series speakers feature a very compact, durable, and lightweight plastic cabinet equipped with newly designed, ergonomic handles that greatly minimize system transport and setup. In addition, all CBR models feature a sleek, steel front grille that seamlessly blends in with installation aesthetics while protecting the vital inner speaker components from environmental hazards.

Versatility for a Wide Range of Applications

Smart Enclosure Design for Floor Monitoring

The CBR Series speakers feature an optimized 50° wedge angle for floor monitoring. In addition, the CBR12 and CBR15's symmetrical shape allows for effortless configuration of a mirror-mode floor monitoring system for a larger and more defined sweet spot.

Rigging Points for Installation Applications

CBR loudspeakers come equipped with M8 rigging points, allowing for rigged applications with optional speaker brackets or standardized eye-bolts.



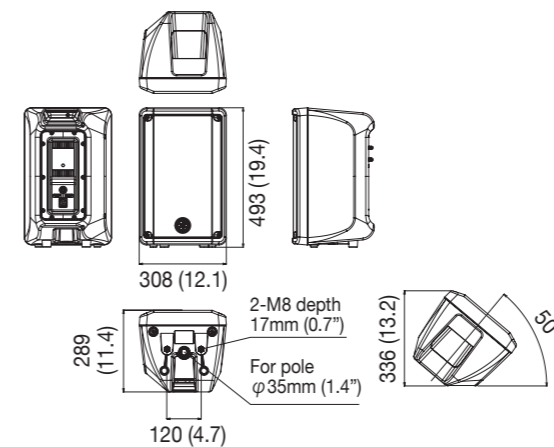
Application Examples



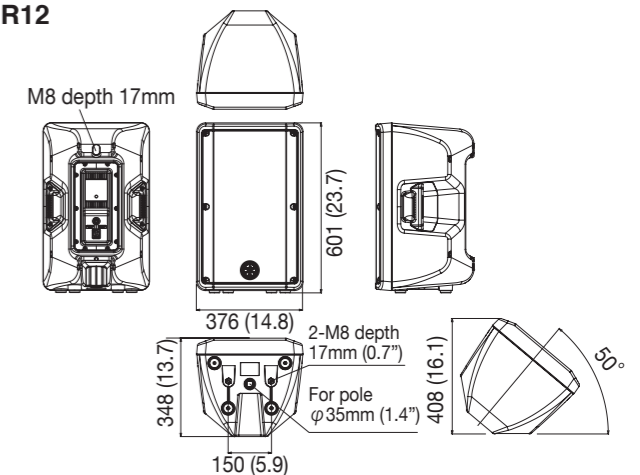
Dimensions

mm (inch)

CBR10



CBR12



CBR15

