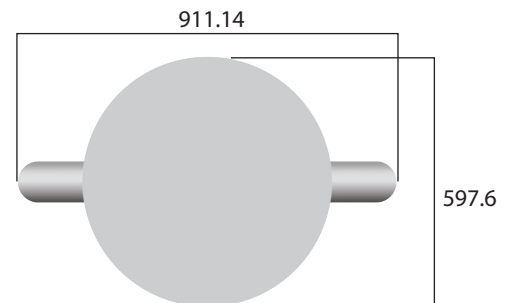
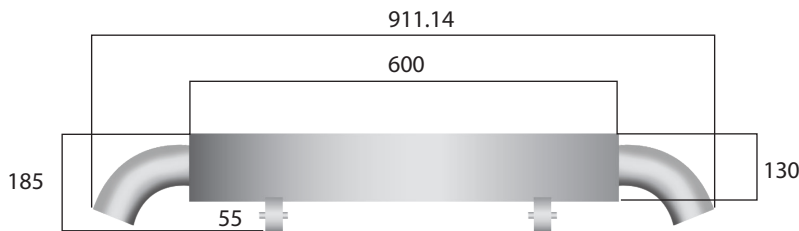


**MANITA** BEAM LIGHT WATERPROFF COVER 250W / 350W / 750W



Whenever moving lights are installed outdoors - either permanently for architectural applications or during temporary events and festivals - protecting such sensitive equipment against the elements becomes essential. The waterproof cover is a tough, sturdy enclosure that offers complete protection against rain and humidity, and maintains a perfect working temperature (between 0 C and 36 C) for fixtures even in hot or sub-zero conditions. It is great for permanent installations and is an indispensable tool for rental companies who want to protect their stock of lighting during outdoor events and festivals. Above all, it is quick to install, simple to use and competitively priced.

The waterproof cover dome is injection molded from UV-resistant transparent polycarbonate, and is carefully designed to ensure flawless projections without loss of light or image distortion. The waterproof cover has been designed to accommodate many models of moving lights, just like 700W 300W 200W Beam Light, as well as automated fixtures of similar size, weight and consumption.

For DMX512 fixture control, using the DMX wired version, with IN/OUT cables and waterproof glands, integrated into the base of the dome. Power is supplied via two cables with cable glands: one for the dome internal devices, the other for the luminaire. The waterproof cover is equipped with four carrying handles and offers the option of a flight case for safe transport.

