



MODELS SM48 AND SM48S UNIDIRECTIONAL DYNAMIC MICROPHONES

Shure Models SM48 and SM48S unidirectional dynamic microphones are designed for professional sound reinforcement, studio recording, and broadcasting applications. They maintain a true cardioid pattern throughout their frequency range, ensuring high gain before feedback and rejection of off-axis sound. The tailored frequency response is ideal for vocals. A presence rise brightens mid-range performance, and a low frequency rolloff controls proximity effect.

Both models include a shock mounted cartridge, a steel mesh grille, and an integral “pop” filter. The SM48S also includes a lockable On/Off switch.

Each microphone is supplied with an adjustable stand adapter and a zippered carrying/storage bag. Cables are available separately.

FEATURES

- *Cardioid pickup pattern rejects off-axis sound and provides superior gain before feedback*
- *Frequency response tailored for vocals, with brightened mid-range and bass rolloff to control proximity effect*
- *Shock-mounted cartridge for exceptional ruggedness and reduced handling noise*
- *Built-in “pop” filter that reduces explosive breath sounds and wind noise*
- *Supplied stand adapter and carrying/storage bag*
- *Lockable On/Off switch (SM48S only)*
- *Legendary Shure quality and ruggedness*

VARIATIONS

- SM48
- SM48S (with lockable On/Off switch)

SPECIFICATIONS

Type

Dynamic

Frequency Response

55 to 14,000 Hz (see Figure 1)

Polar Pattern

Cardioid (unidirectional) rotationally symmetrical about microphone axis, uniform with frequency (see Figure 2)

Impedance

Microphone rating impedance is 150 Ω (270 Ω actual) for connection to microphone inputs rated at 19 to 300 Ω

Output Level (at 1,000 Hz)

Open Circuit Voltage: *.....-57.5 dBV/Pa (1.3 mV)

*1 Pa = 94 dB SPL

Connector

XLR professional audio

Polarity

Positive pressure on diaphragm produces positive voltage on pin 2 with respect to pin 3. See Figure 3.

Dimensions

See Figure 4

Net Weight

370 grams (13.1 oz)

Packaged Weight

672 grams (1 lb, 8.5 oz)

CERTIFICATIONS

Eligible to bear CE Marking. Conforms to European EMC Directive 89/336/EEC. Meets applicable tests and performance criteria in European Standard EN55103 (1996) parts 1 and 2, for residential (E1) and light industrial (E2) environments.

FURNISHED ACCESSORIES

Swivel AdapterA25D
Carrying/Storage Bag..... 26A13

OPTIONAL ACCESSORIES

WindscreenA58WS
Desk Stand S37A, S39A
Isolation Mount A55M, A55HM
Dual Mount..... A26M
7.6 m Cable (25 ft) C25F

REPLACEMENT PARTS

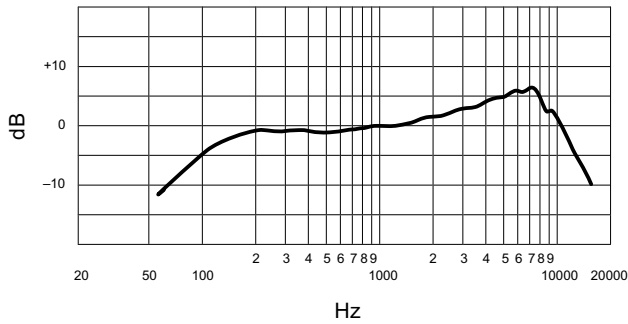
Cartridge R136
Screen and Grille Assembly..... RK248G
Plug Assembly RK40P
On/Off Switch RK81S

LOCKING THE ON/OFF SWITCH (SM48S ONLY)

To lock the On/Off switch in On position, remove the screw from the lockplate and rotate the lockplate 180°. Then reinstall the screw.

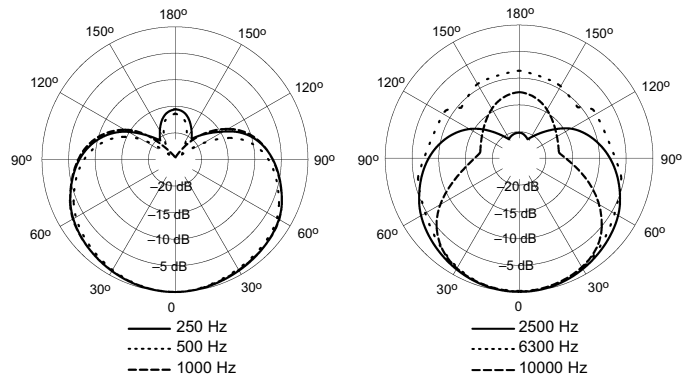
For additional service or parts information, please contact the Shure Service Department at 1-800-516-2525. Outside the United States, please contact your authorized Shure Service Center.





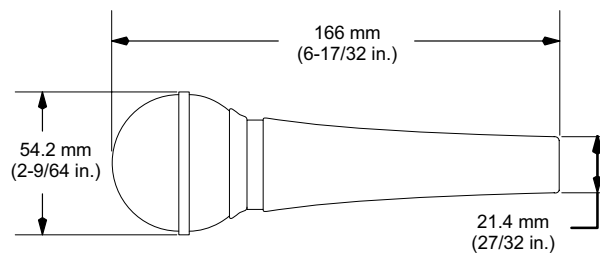
TYPICAL FREQUENCY RESPONSE
 COURBE DE REPOSE TYPIQUE
 TYPISCHES FREQUENZVERHALTEN
 RESPUESTA DE FRECUENCIA TIPICA
 TIPICA RISPOSTA IN FREQUENZA

FIGURE 1 – ABBILDUNG 1 – FIGURA 1



TYPICAL POLAR PATTERNS
 COURBE DE DIRECTIVITE TYPQUES
 TYPISCHE POLARCHARAKTERISTIK
 PATRONES DE CAPTACION POLAR TIPICOS
 TIPICI DIAGRAMMI POLARI

FIGURE 2 – ABBILDUNG 2 – FIGURA 2

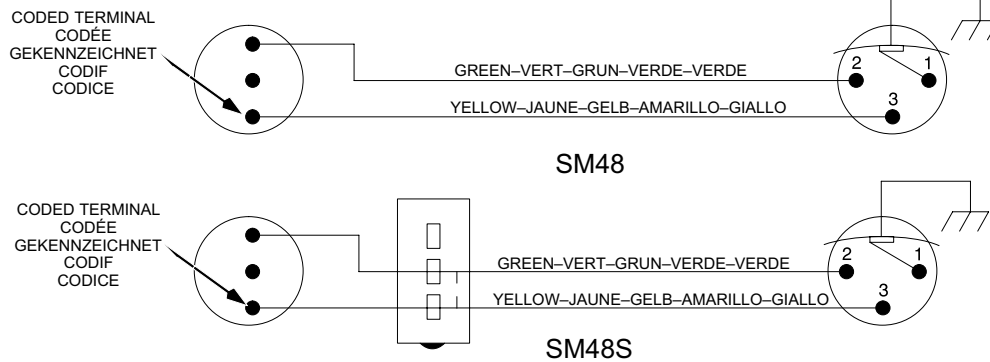


OVERALL DIMENSIONS – DIMENSIONS HORS TOUT
 GESAMTABMESSUNGEN – DIMENSIONES TOTALES – DIMENSIONI TOTALI

FIGURE 3 – ABBILDUNG 3 – FIGURA 3

CARTRIDGE – CARTOUCHE – KAPSEL
 CÁPSULA – CARTUCCIA

CONNECTOR – PRISE – ANSCHLUßKUPPLUNG
 ENCHUFE – CONNETTORE



INTERNAL CONNECTIONS – CONNEXIONES INTERNES
 INTERNE SCHALTUNGEN – CONEXIONES INTERNAS
 COLLEGIAMENTI INTERNI

FIGURE 4 – ABBILDUNG 4 – FIGURA 4



SHURE Incorporated <http://www.shure.com>
 United States, Canada, Latin America, Caribbean:
 5800 W. Touhy Avenue, Niles, IL 60714-4608, U.S.A.
 Phone: 847-600-2000 U.S. Fax: 847-600-1212 Intl Fax: 847-600-6446
 Europe, Middle East, Africa:
 Shure Europe GmbH, Phone: 49-7131-72140 Fax: 49-7131-721414
 Asia, Pacific:
 Shure Asia Limited, Phone: 852-2893-4290 Fax: 852-2893-4055