

KEY FEATURES

- 300 W program power
- Sensitivity: 95 dB (1W / 1m)
- 2" (51,7 mm) copper voice coil with fiber glass former
- Optimum winding length for increased linear excursion
- Designed for high power woofer applications

TECHNICAL SPECIFICATIONS

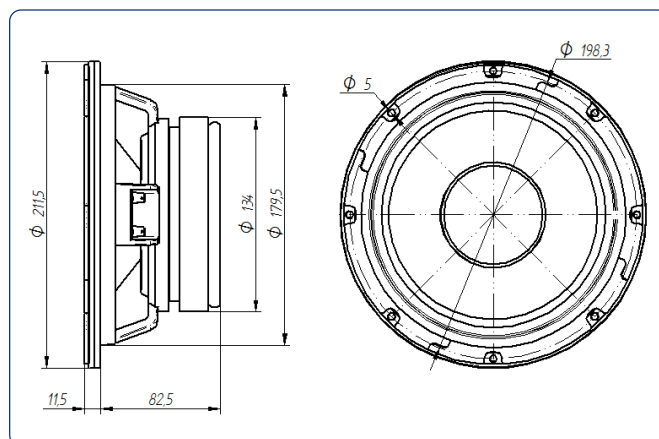
Nominal diameter	200 mm	8 in
Rated impedance		8 Ω
Minimum impedance		7,5 Ω
Power capacity*		150 W _{AES}
Program power		300 W
Sensitivity	95 dB	1W / 1m @ Z _N
Frequency range		70 - 6.000 Hz
Recom. enclosure vol.	10 / 30 l	0,35 / 1,06 ft ³
Voice coil diameter	51,7 mm	2 in
BI factor		14 N/A
Moving mass		0,024 kg
Voice coil length		15 mm
Air gap height		7 mm
X _{damage} (peak to peak)		22 mm

THIELE-SMALL PARAMETERS**

Resonant frequency, f _s	71 Hz
D.C. Voice coil resistance, R _e	6,2 Ω
Mechanical Quality Factor, Q _{ms}	3,8
Electrical Quality Factor, Q _{es}	0,35
Total Quality Factor, Q _{ts}	0,32
Equivalent Air Volume to C _{ms} , V _{as}	14,4 l
Mechanical Compliance, C _{ms}	210 μ m / N
Mechanical Resistance, R _{ms}	2,8 kg / s
Efficiency, η_0	1,4 %
Effective Surface Area, S _d	0,022 m ²
Maximum Displacement, X _{max} ***	6 mm
Displacement Volume, V _d	132 cm ³
Voice Coil Inductance, L _e @ 1 kHz	0,9 mH



DIMENSION DRAWINGS



MOUNTING INFORMATION

Overall diameter	211,5 mm	8,33 in
Bolt circle diameter	198,3 mm	7,81 in
Baffle cutout diameter:		
- Front mount	179,5 mm	7,07 in
Depth	94 mm	3,70 in
Net weight	3,1 kg	6,83 lb
Shipping weight	3,25 kg	7,16 lb

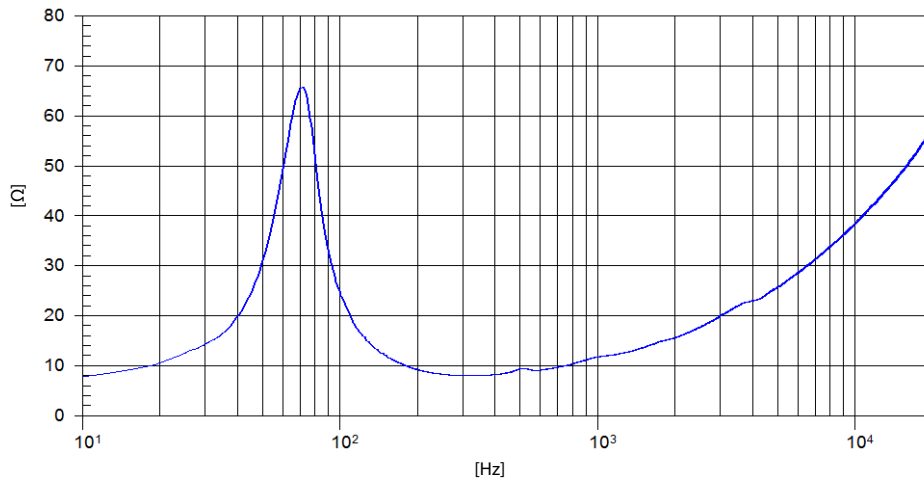
Notes:

* The power capacity is determined according to AES2-1984 (r2003) standard. Program power is defined as the transducer's ability to handle normal music program material.

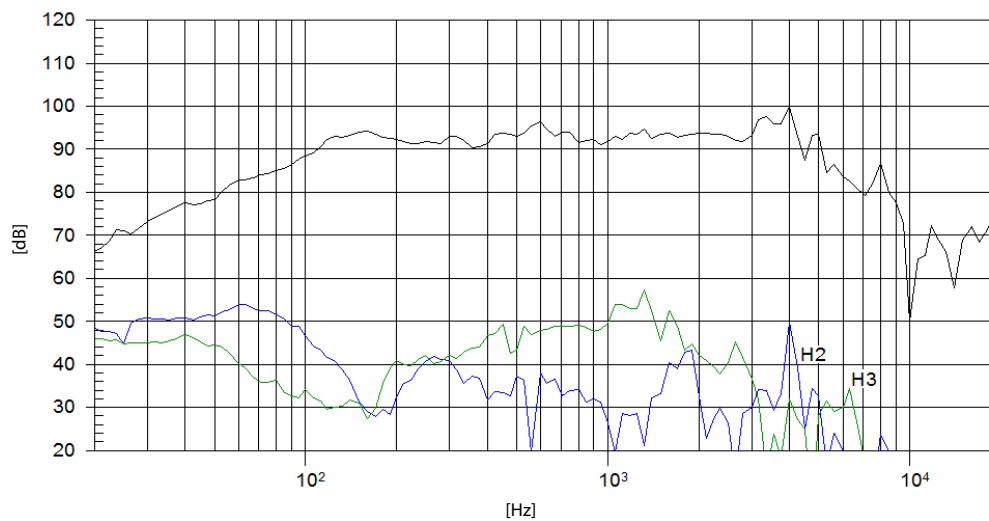
** T-S parameters are measured after an exercise period using a preconditioning power test. The measurements are carried out with a velocity-current laser transducer and will reflect the long term parameters (once the loudspeaker has been working for a short period of time).

*** The X_{max} is calculated as (L_{vc} - H_{ag})/2 + (H_{ag}/3,5), where L_{vc} is the voice coil length and H_{ag} is the air gap height.

FREE AIR IMPEDANCE CURVE



FREQUENCY RESPONSE AND DISTORTION



Note: On axis frequency response measured with loudspeaker standing on infinite baffle in anechoic chamber, 1W @ 1m