

KEY FEATURES

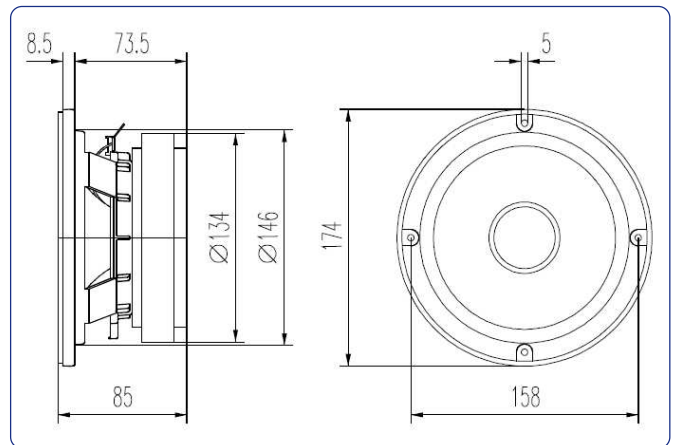
- High power handling (250 W_{AES})
- Good sensitivity (94 dB)
- Low harmonic distortion
- Controlled dispersion up to 3 kHz
- 2" aluminum voice coil with polyimide glass fiber former.
- Designed for high quality mid-frequency reproduction



TECHNICAL SPECIFICATIONS

Nominal diameter	165 mm	6,5 in
Rated impedance		8 Ω
Minimum impedance		6,8 Ω
Power capacity*		250 W _{AES}
Program power		500 W
Sensitivity	94 dB @ 1W @ Z _N	
Frequency range		100 - 8.000 Hz
Voice coil diameter	51,7 mm	2 in
BI factor		10,8 N/A
Moving mass		0,014 kg
Voice coil length		9,2 mm
Air gap height		7 mm

DIMENSION DRAWINGS



MOUNTING INFORMATION

Overall diameter	174 mm	6,85 in
Bolt circle diameter	158 mm	6,22 in
Baffle cutout diameter:		
- Front mount	146 mm	5,75 in
Depth	85 mm	3,35 in
Volume displaced by driver	0,75 l	0,026 ft ³
Net weight	2,2 kg	4,84 lb
Shipping weight	2,3 kg	5,05 lb

THIELE-SMALL PARAMETERS**

Resonant frequency, f _s	128 Hz
D.C. Voice coil resistance, R _e	6 Ω
Mechanical Quality Factor, Q _{ms}	8,6
Electrical Quality Factor, Q _{es}	0,55
Total Quality Factor, Q _{ts}	0,51
Equivalent Air Volume to C _{ms} , V _{as}	3,07 l
Mechanical Compliance, C _{ms}	119 μm / N
Mechanical Resistance, R _{ms}	1,2 kg / s
Efficiency, η ₀	1,2 %
Effective Surface Area, S _d	0,014 m ²
Maximum Displacement, X _{max} ***	3 mm
Displacement Volume, V _d	42 cm ³
Voice Coil Inductance, L _e	0,2 mH

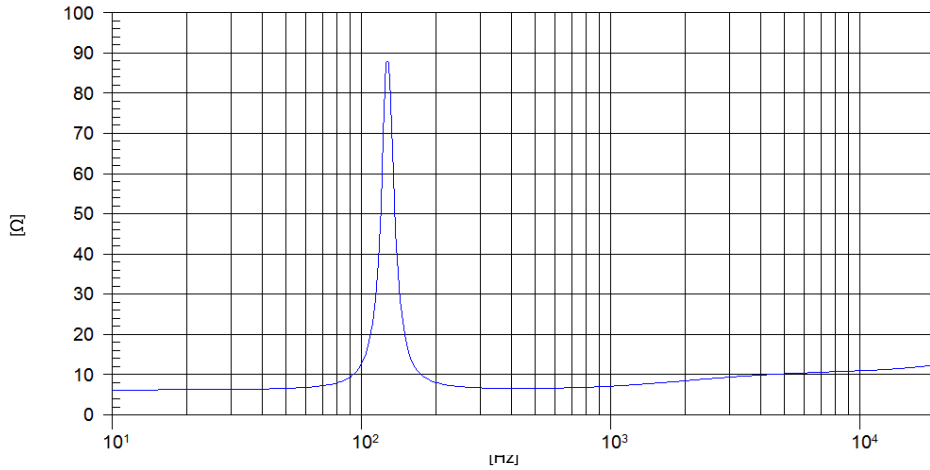
Notes:

* The power capacity is determined according to AES2-1984 (r2003) standard. Program power is defined as the transducer's ability to handle normal music program material.

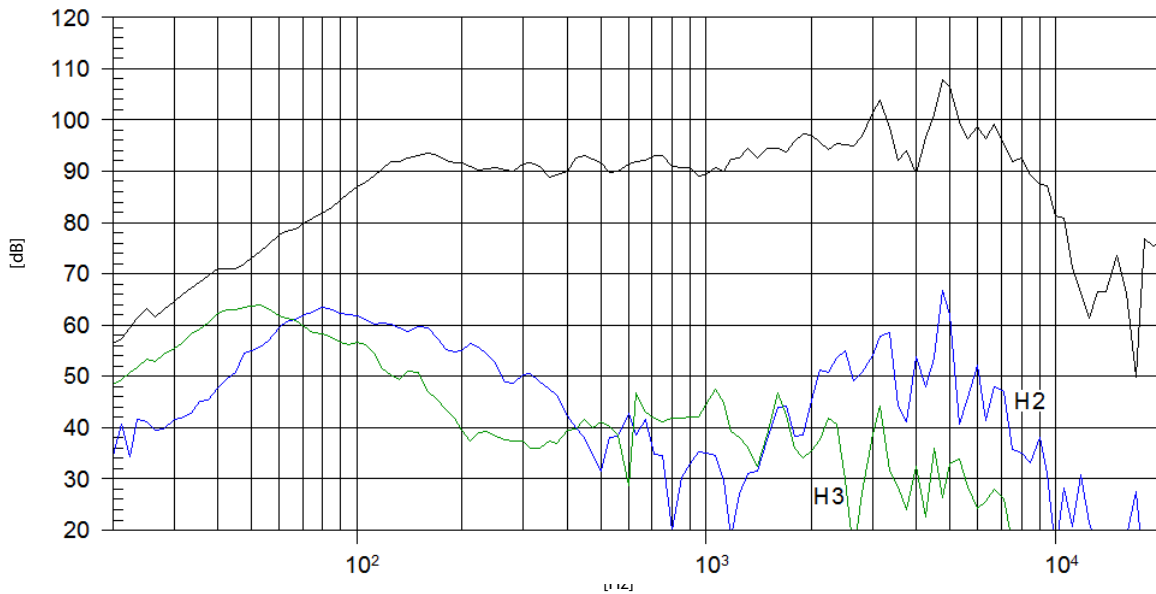
** T-S parameters are measured after an exercise period using a preconditioning power test. The measurements are carried out with a velocity-current laser transducer and will reflect the long term parameters (once the loudspeaker has been working for a short period of time).

*** The X_{max} is calculated as (L_{vc} - H_{ag})/2 + (H_{ag}/3,5), where L_{vc} is the voice coil length and H_{ag} is the air gap height.

FREE AIR IMPEDANCE CURVE



FREQUENCY RESPONSE AND DISTORTION



Note: On axis frequency response measured with loudspeaker standing on infinite baffle in anechoic chamber, 1W @ 1m