

KEY FEATURES

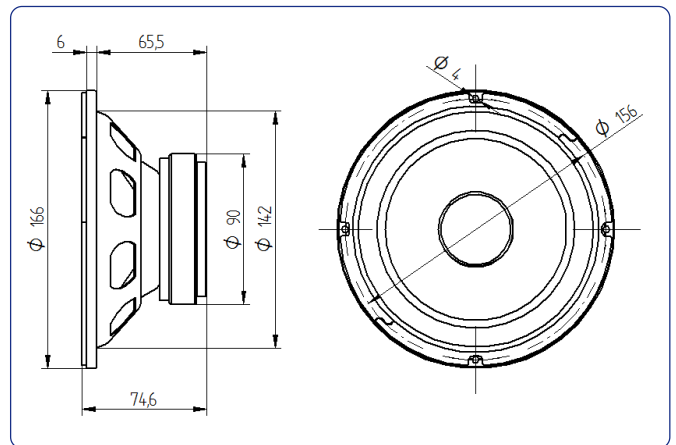
- Power handling (50 W_{RMS})
- Sensitivity: 90 dB
- Low weight
- 1" copper voice coil
- Low harmonic distortion
- Designed for low and mid frequency reproduction
- Optimal for studio and Hi-Fi applications



TECHNICAL SPECIFICATIONS

Nominal diameter	165 mm	6,5 in
Rated impedance		8 Ω
Minimum impedance		6,3 Ω
Power capacity*		50 W _{RMS}
Program power		80 W
Sensitivity	90 dB	1W / 1m @ Z _N
Frequency range		55 - 8.000 Hz
Voice coil diameter	25,4 mm	1 in
BI factor		6,8 N/A
Moving mass		0,014 kg
Voice coil length		14 mm
Air gap height		6 mm
X _{damage} (peak to peak)		15 mm

DIMENSION DRAWINGS



THIELE-SMALL PARAMETERS**

Resonant frequency, f _s	56 Hz
D.C. Voice coil resistance, R _e	5,5 Ω
Mechanical Quality Factor, Q _{ms}	3
Electrical Quality Factor, Q _{es}	0,6
Total Quality Factor, Q _{ts}	0,5
Equivalent Air Volume to C _{ms} , V _{as}	15,6 l
Mechanical Compliance, C _{ms}	564 μm / N
Mechanical Resistance, R _{ms}	1,67 kg / s
Efficiency, η ₀	0,45 %
Effective Surface Area, S _d	0,014 m ²
Maximum Displacement, X _{max} ***	5,5 mm
Displacement Volume, V _d	77 cm ³
Voice Coil Inductance, L _e	0,3 mH

MOUNTING INFORMATION

Overall diameter	166 mm	6,53 in
Bolt circle diameter	156 mm	6,14 in
Baffle cutout diameter:		
- Front mount	140 mm	5,51 in
Depth	75 mm	2,95 in
Net weight	1,25 kg	2,76 lb
Shipping weight	1,5 kg	3,31 lb

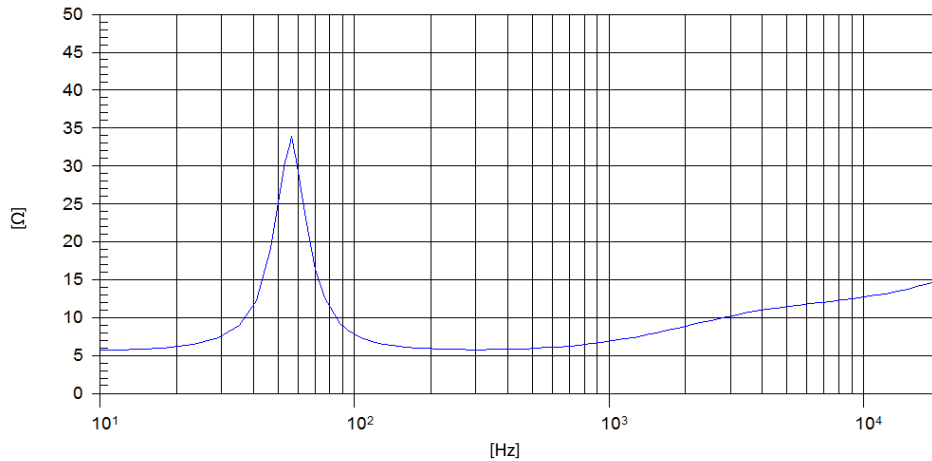
Notes:

* The power capacity is determined according to AES2-1984 (r2003) standard. Program power is defined as the transducer's ability to handle normal music program material.

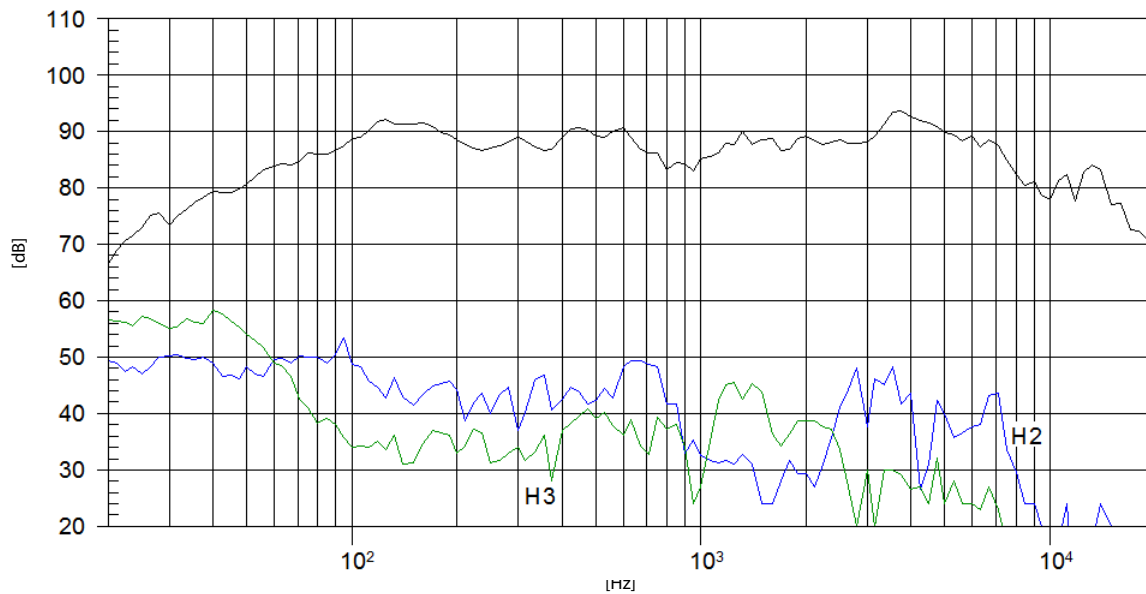
** T-S parameters are measured after an exercise period using a preconditioning power test. The measurements are carried out with a velocity-current laser transducer and will reflect the long term parameters (once the loudspeaker has been working for a short period of time).

*** The X_{max} is calculated as (L_{vc} - H_{ag})/2 + (H_{ag}/3,5), where L_{vc} is the voice coil length and H_{ag} is the air gap height.

FREE AIR IMPEDANCE CURVE



FREQUENCY RESPONSE AND DISTORTION



Note: On axis frequency response measured with loudspeaker standing on infinite baffle in anechoic chamber, 1W @ 1m