

KEY FEATURES

- 100 W program power
- Sensitivity: 88 dB @ 1 W @ 1 m
- Extended controlled displacement: $X_{\max} \pm 5,5$ mm
- Extended mechanical displacement capability: $X_{\text{damage}} \pm 20$ mm
- Smooth, flat and wide frequency response
- Copper shorting-cup for reduced harmonic distortion
- Especially well suited for small bass-reflex cabinet for high quality monitor applications

TECHNICAL SPECIFICATIONS

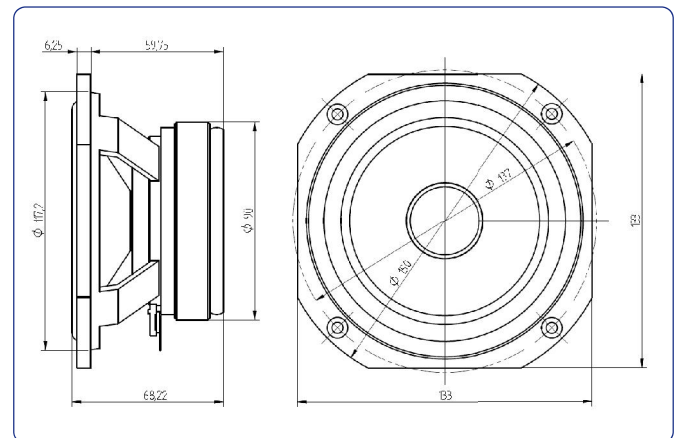
Nominal diameter	125 mm	5 in
Rated impedance		8 Ω
Minimum impedance		5,5 Ω
Power capacity*		50 W _{RMS}
Program power		100 W
Sensitivity	88 dB	1W @ 1m @ Z _N
Frequency range		50 - 12.000 Hz
Recom. enclosure vol.	10 / 20 l	0,35 / 0,7 ft ³
Voice coil diameter	25,4 mm	1 in
BI factor		6,4 N/A
Moving mass		0,011 kg
Voice coil length		14 mm
Air gap height		6 mm
X _{damage} (peak to peak)		20 mm

THIELE-SMALL PARAMETERS**

Resonant frequency, f_s	63 Hz
D.C. Voice coil resistance, R_e	5,3 Ω
Mechanical Quality Factor, Q_{ms}	2,3
Electrical Quality Factor, Q_{es}	0,58
Total Quality Factor, Q_{ts}	0,46
Equivalent Air Volume to C_{ms} , V_{as}	5,77 l
Mechanical Compliance, C_{ms}	564 $\mu\text{m} / \text{N}$
Mechanical Resistance, R_{ms}	1,95 kg / s
Efficiency, η_0	0,24 %
Effective Surface Area, S_d	0,0085 m ²
Maximum Displacement, X_{\max} ***	5,5 mm
Displacement Volume, V_d	46 cm ³
Voice Coil Inductance, L_e @ 1 kHz	0,23 mH



DIMENSION DRAWINGS



MOUNTING INFORMATION

Overall diameter	134 mm	5,27 in
Bolt circle diameter	137 mm	5,40 in
Baffle cutout diameter:		
- Front mount	120 mm	4,72 in
Depth	68 mm	2,68 in
Volume displaced by driver	0,5 l	0,02 ft ³
Net weight	1,2 kg	2,65 lb
Shipping weight	1,3 kg	2,80 lb

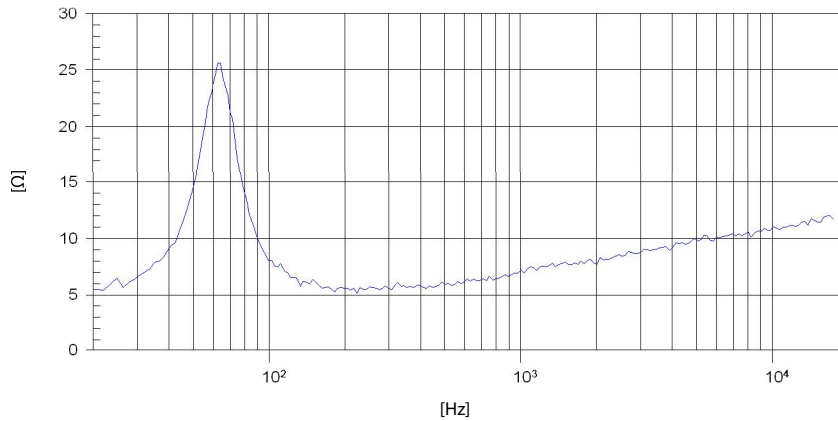
Notes:

* The power capacity is determined according to AES2-1984 (r2003) standard. Program power is defined as the transducer's ability to handle normal music program material.

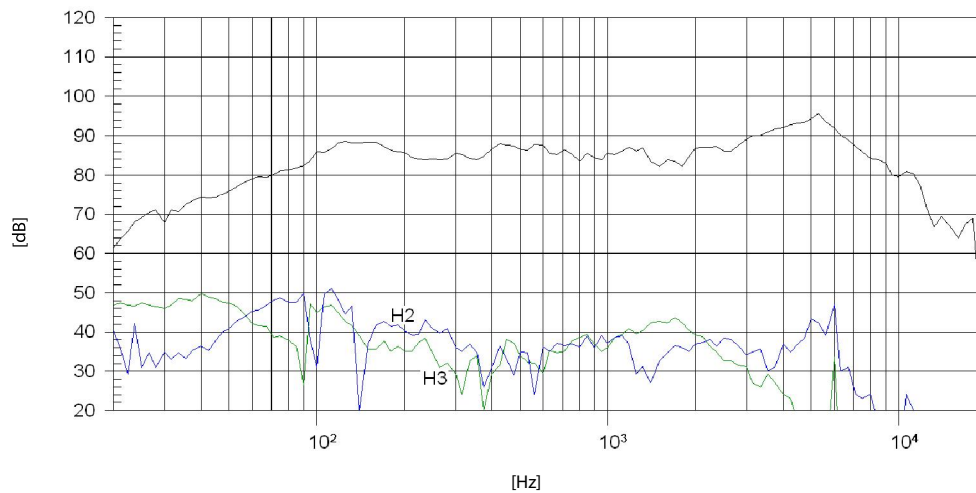
** T-S parameters are measured after an exercise period using a preconditioning power test. The measurements are carried out with a velocity-current laser transducer and will reflect the long term parameters (once the loudspeaker has been working for a short period of time).

*** The X_{\max} is calculated as $(L_{vc} - H_{ag})/2 + (H_{ag}/3,5)$, where L_{vc} is the voice coil length and H_{ag} is the air gap height.

FREE AIR IMPEDANCE CURVE



FREQUENCY RESPONSE AND DISTORTION



Note: On axis frequency response measured with loudspeaker standing on infinite baffle in anechoic chamber, 1W @ 1m