

KEY FEATURES

- Excellent sensitivity (93 dB)
- 200 W program power
- 1,5" (38,5 mm) aluminum voice coil
- Designed for mid-bass applications
- Low weight due to the neodymium magnet system
- Optimized for the use in line array systems

TECHNICAL SPECIFICATIONS

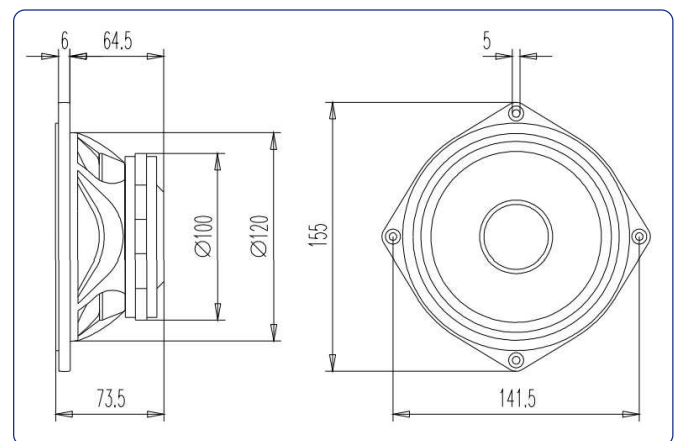
Nominal diameter	125 mm	5 in
Rated impedance		8 Ω
Minimum impedance		6,9 Ω
Power capacity*	100 W _{AES}	
Program power		200 W
Sensitivity	93 dB @ 1W @ 1m @ Z _N	
Frequency range		150 - 17.000 Hz
Recom. enclosure vol.	10 / 20 l	0,35 / 0,7 ft ³
Voice coil diameter	38,5 mm	1,5 in
BI factor		10,4 N/A
Moving mass		0,008 kg
Voice coil length		9 mm
Air gap height		7 mm
X _{damage} (peak to peak)		20 mm

THIELE-SMALL PARAMETERS**

Resonant frequency, f _s	171 Hz
D.C. Voice coil resistance, R _e	6,6 Ω
Mechanical Quality Factor, Q _{ms}	2,95
Electrical Quality Factor, Q _{es}	0,55
Total Quality Factor, Q _{ts}	0,46
Equivalent Air Volume to C _{ms} , V _{as}	1,05 l
Mechanical Compliance, C _{ms}	103 μ m / N
Mechanical Resistance, R _{ms}	3,05 kg / s
Efficiency, η_0	0,93 %
Effective Surface Area, S _d	0,0085 m ²
Maximum Displacement, X _{max} ***	3 mm
Displacement Volume, V _d	26 cm ³
Voice Coil Inductance, L _e @ 1 kHz	0,16 mH



DIMENSION DRAWINGS



MOUNTING INFORMATION

Overall diameter	155 mm	6,10 in
Bolt circle diameter	141,5 mm	5,57 in
Baffle cutout diameter:		
- Front mount	120 mm	4,72 in
- Rear mount	120 mm	4,72 in
Depth	73,5 mm	2,89 in
Volume displaced by driver	0,5 l	0,02 ft ³
Net weight	1,3 kg	2,86 lb
Shipping weight	1,8 kg	3,96 lb

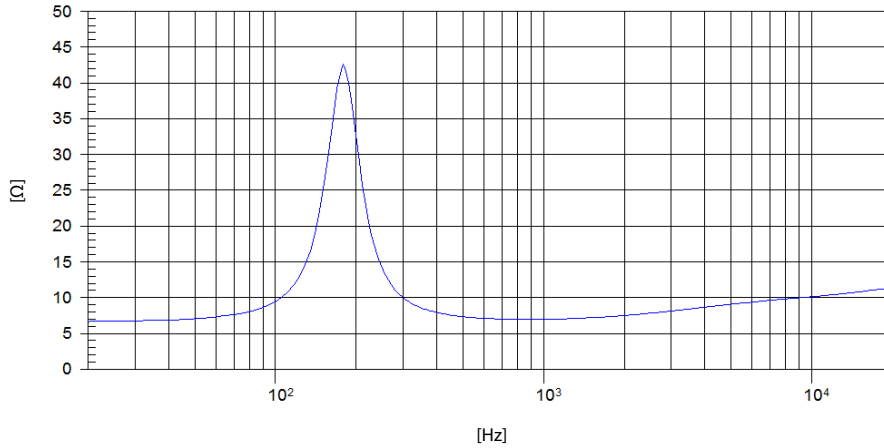
Notes:

* The power capacity is determined according to AES2-1984 (r2003) standard. Program power is defined as the transducer's ability to handle normal music program material.

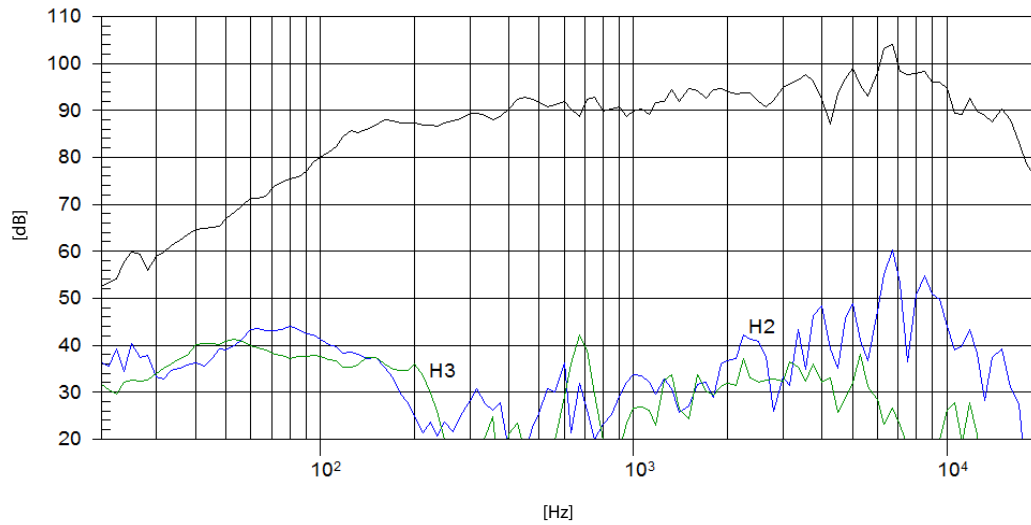
** T-S parameters are measured after an exercise period using a preconditioning power test. The measurements are carried out with a velocity-current laser transducer and will reflect the long term parameters (once the loudspeaker has been working for a short period of time).

*** The X_{max} is calculated as (L_{vc} - H_{ag})/2 + (H_{ag}/3,5), where L_{vc} is the voice coil length and H_{ag} is the air gap height.

FREE AIR IMPEDANCE CURVE



FREQUENCY RESPONSE AND DISTORTION



Note: On axis frequency response measured with loudspeaker standing on infinite baffle in anechoic chamber, 1W @ 1m