

### KEY FEATURES

- 3" full-range compact neodymium loudspeaker
- 60 W program power
- Extended response and low distortion
- Paper cone and treated cloth surround
- Steel basket
- Ideal for beam-steering application (columns), portable array and compact applications

### TECHNICAL SPECIFICATIONS

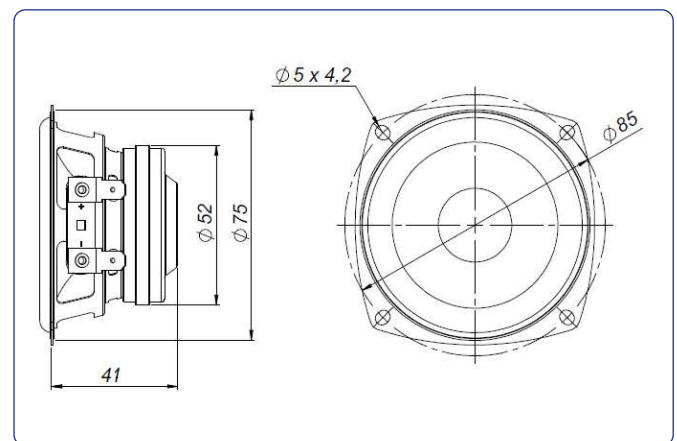
Nominal diameter	77 mm	3 in
Rated impedance		8 $\Omega$
Minimum impedance		6,4 $\Omega$
Power capacity*		30 W <sub>AES</sub>
Program power		60 W
Sensitivity	92 dB	1W / 1m @ Z <sub>N</sub>
Frequency range		200 - 20.000 Hz
Voice coil diameter	20,3 mm	0,8 in
BI factor		4,6 N/A
Moving mass		0,002 kg
Voice coil length		10,5 mm
Air gap height		3 mm

### THIELE-SMALL PARAMETERS\*\*

Resonant frequency, $f_s$	188 Hz
D.C. Voice coil resistance, $R_e$	5,4 $\Omega$
Mechanical Quality Factor, $Q_{ms}$	8,1
Electrical Quality Factor, $Q_{es}$	0,58
Total Quality Factor, $Q_{ts}$	0,54
Equivalent Air Volume to $C_{ms}$ , $V_{as}$	0,56 l
Mechanical Compliance, $C_{ms}$	362 $\mu\text{m} / \text{N}$
Mechanical Resistance, $R_{ms}$	0,29 kg / s
Efficiency, $\eta_0$	0,63 %
Effective Surface Area, $S_d$	0,003 m <sup>2</sup>
Maximum Displacement, $X_{max}$ ***	4,5 mm
Displacement Volume, $V_d$	13,5 cm <sup>3</sup>
Voice Coil Inductance, $L_e$ @ 1 kHz	0,2 mH



### DIMENSION DRAWINGS



### MOUNTING INFORMATION

Overall diameter	93,5 mm	3,68 in
Bolt circle diameter	85 mm	3,35 in
Baffle cutout diameter:		
- Front mount	75 mm	2,95 in
Depth	41 mm	1,61 in
Net weight	0,25 kg	0,55 lb
Shipping weight	0,40 kg	0,95 lb

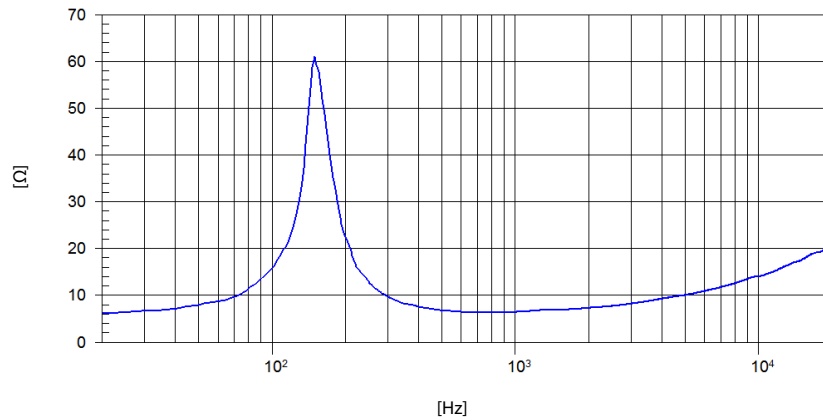
#### Notes:

\* The power capacity is determined according to AES2-1984 (r2003) standard. Program power is defined as the transducer's ability to handle normal music program material.

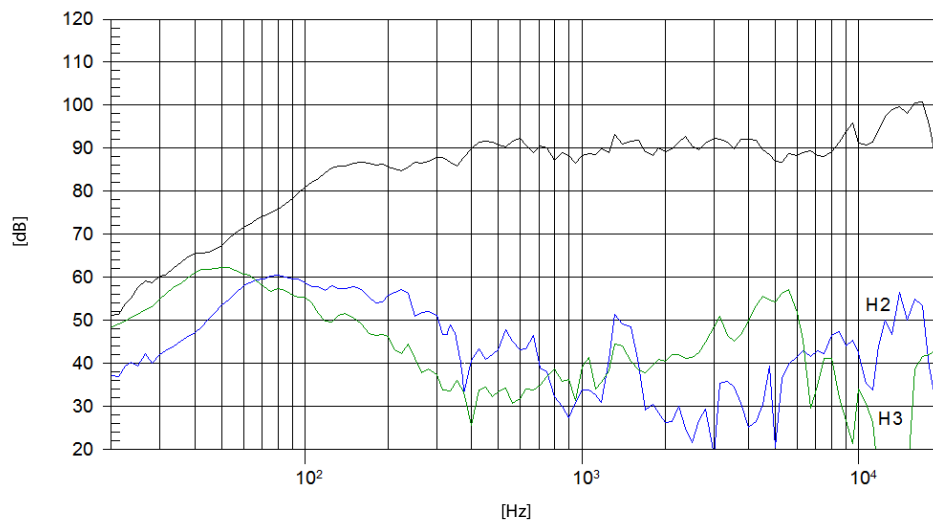
\*\* T-S parameters are measured after an exercise period using a preconditioning power test. The measurements are carried out with a velocity-current laser transducer and will reflect the long term parameters (once the loudspeaker has been working for a short period of time).

\*\*\* The  $X_{max}$  is calculated as  $(L_{vc} - H_{ag})/2 + (H_{ag}/3,5)$ , where  $L_{vc}$  is the voice coil length and  $H_{ag}$  is the air gap height.

### FREE AIR IMPEDANCE CURVE



### FREQUENCY RESPONSE AND DISTORTION



**Note:** On axis frequency response measured with loudspeaker standing on infinite baffle in anechoic chamber, 1W @ 1m