

KEY FEATURES

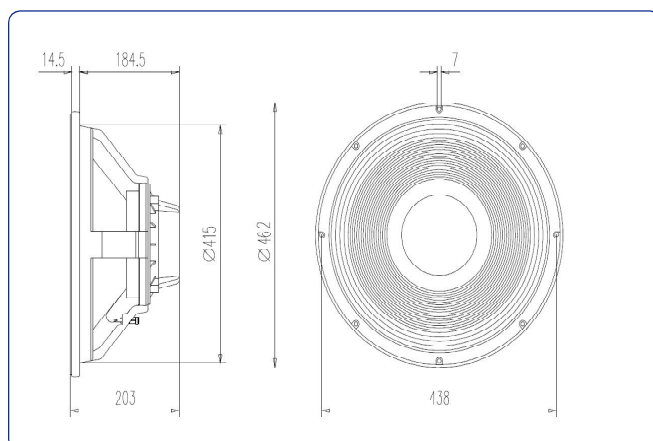
- 1200 W AES power handling capability
- Sensitivity: 98 dB (1W / 1m)
- Exclusive NCR membrane (Neck Coupling Reinforcement)
- CONEX spider with die cast aluminum ring
- 4" duo technology voice coil
- Forced air convection circuit for low power compression
- Extended controlled displacement: $X_{max} \pm 9.5$ mm.
- Massive mechanical displacement capability: 52 mm pp



TECHNICAL SPECIFICATIONS

Nominal diameter	460 mm. 18 in.
Rated impedance	8 ohms
Minimum impedance	6 ohms
Power capacity*	1200 w AES
Program power	2400 w
Sensitivity	98 dB 2.83v @ 1m @ 2p
Frequency range	25 - 2000 Hz
Recom. enclosure vol.	80 / 200 l 2.8 / 7 ft. ³
Voice coil diameter	100 mm. 4 in.
Magnetic assembly weight	6 kg. 13.2 lb.
BL factor	26.3 N / A
Moving mass	0.199 kg.
Voice coil length	25 mm
Air gap height	14 mm
X damage (peak to peak)	52 mm

DIMENSION DRAWINGS



THIELE-SMALL PARAMETERS**

Resonant frequency, fs	37 Hz
D.C. Voice coil resistance, Re	5.3 ohms.
Mechanical Quality Factor, Qms	10.39
Electrical Quality Factor, Qes	0.35
Total Quality Factor, Qts	0.34
Equivalent Air Volume to Cms, Vas	198 l
Mechanical Compliance, Cms	93 mm / N
Mechanical Resistance, Rms	4.5 kg / s
Efficiency, ho (%)	2.7
Effective Surface Area, Sd (m ²)	0.1225 m ²
Maximum Displacement, Xmax***	9.5 mm
Displacement Volume, Vd	1164 cm ³
Voice Coil Inductance, Le @ Zmin	2.3 mH

MOUNTING INFORMATION

Overall diameter	462 mm. 18.2 in.
Bolt circle diameter	438 mm. 17.2 in.
Baffle cutout diameter:	
- Front mount	415 mm. 16.3 in.
Depth	203 mm. 8 in.
Net weight	8.5 kg. 18.7 lb.
Shipping weight	10 kg. 22 lb.

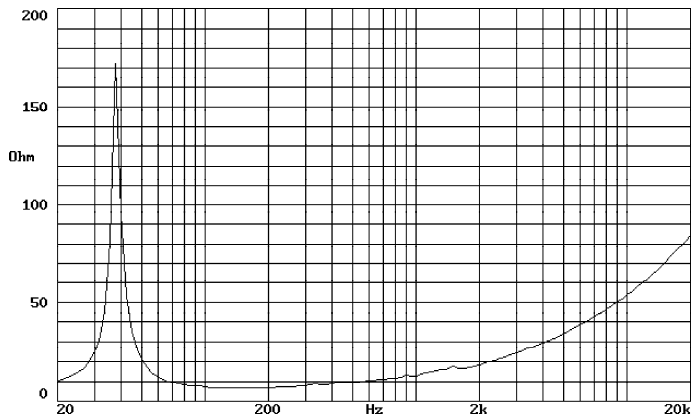
Notes:

*The power capacity is determined according to AES2-1984 (r2003) standard. Program power is defined as the transducer's ability to handle normal music program material.

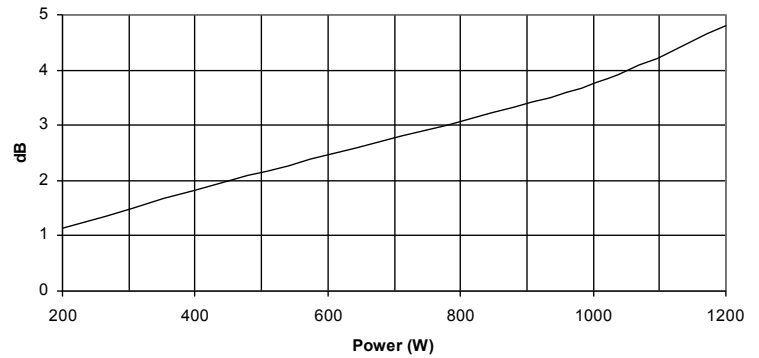
**T-S parameters are measured after an exercise period using a preconditioning power test. The measurements are carried out with a velocity-current laser transducer and will reflect the long term parameters (once the loudspeaker has been working for a short period of time).

***The Xmax is calculated as $(L_{vc} - Hag)/2 + Hag/3.5$, where Lvc is the voice coil length and Hag is the air gap height.

FREE AIR IMPEDANCE CURVE

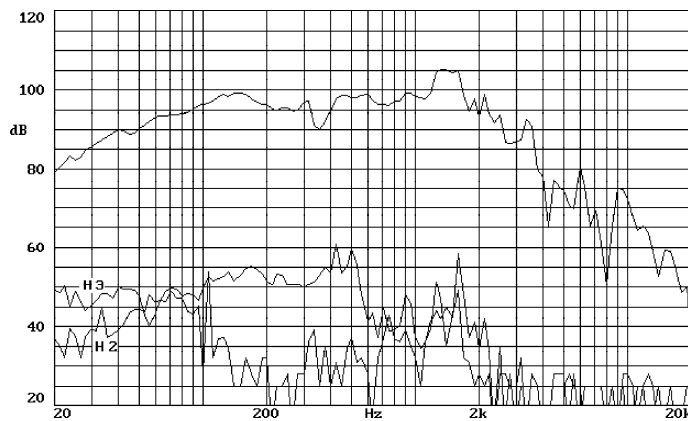


POWER COMPRESSION LOSSES



Note: Power Compression Losses were calculated after 5 minutes period applying a pink noise signal filtered between 40 and 200 Hz.

FREQUENCY RESPONSE AND DISTORTION



Note: on axis frequency response measured with loudspeaker standing on infinite baffle in anechoic chamber, 1W @ 1m.