

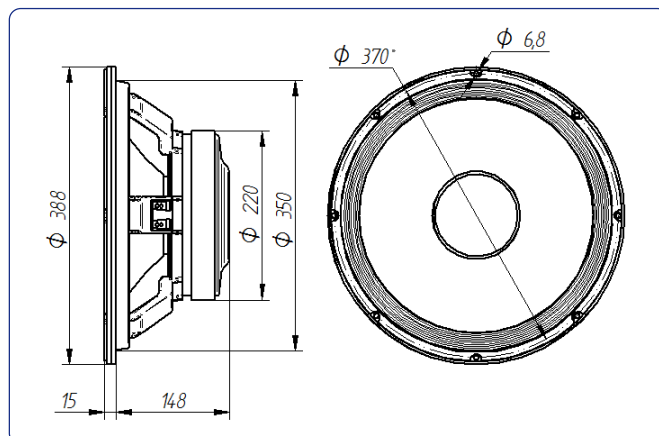
## KEY FEATURES

- 1.600 W program power
- High sensitivity: 101 dB (1W / 1m)
- FEA optimized magnetic circuit
- Forced air convection circuit for low power compression
- CONEX spider for higher resistance and consistency
- Waterproof treatment for both sides of the cone
- 4" duo technology voice coil
- Designed with MMS technology for high control, linearity and low harmonic distortion
- Extended controlled displacement:  $X_{max} \pm 7,5$  mm
- Massive mechanical displacement capability:  $X_{damage} \pm 52$  mm
- Excellent response in high efficiency and horn loading systems

## TECHNICAL SPECIFICATIONS

Nominal diameter	380 mm	15 in
Rated impedance		8 $\Omega$
Minimum impedance		6,3 $\Omega$
Power capacity*	800 W <sub>AES</sub>	
Program power	1600 W	
Sensitivity	101 dB	1W @ 1m @ Z <sub>N</sub>
Frequency range	30 - 4.000 Hz	
Recom. enclosure vol.	40 / 150 l	1,41 / 5,3 ft <sup>3</sup>
Voice coil diameter	101,6 mm	4 in
Bl factor		22,1 N/A
Moving mass		0,088 kg
Voice coil length		20 mm
Air gap height		12 mm
X <sub>damage</sub> (peak to peak)		52 mm

## DIMENSION DRAWINGS



## THIELE-SMALL PARAMETERS\*\*

Resonant frequency, $f_s$	32 Hz
D.C. Voice coil resistance, $R_e$	5,3 $\Omega$
Mechanical Quality Factor, $Q_{ms}$	5,5
Electrical Quality Factor, $Q_{es}$	0,19
Total Quality Factor, $Q_{ts}$	0,18
Equivalent Air Volume to $C_{ms}$ , $V_{as}$	305 l
Mechanical Compliance, $C_{ms}$	279 $\mu$ m / N
Mechanical Resistance, $R_{ms}$	3,2 kg / s
Efficiency, $\eta_0$	5 %
Effective Surface Area, $S_d$	0,088 m <sup>2</sup>
Maximum Displacement, $X_{max}$ ***	7,5 mm
Displacement Volume, $V_d$	660 cm <sup>3</sup>
Voice Coil Inductance, $L_e$ @ 1 kHz	1,2 mH

## MOUNTING INFORMATION

Overall diameter	388 mm	15,28 in
Bolt circle diameter	370 mm	14,57 in
Baffle cutout diameter:		
- Front mount	349,5 mm	13,76 in
Depth	163 mm	6,42 in
Net weight	12,5 kg	27,56 lb
Shipping weight	13,5 kg	29,76 lb

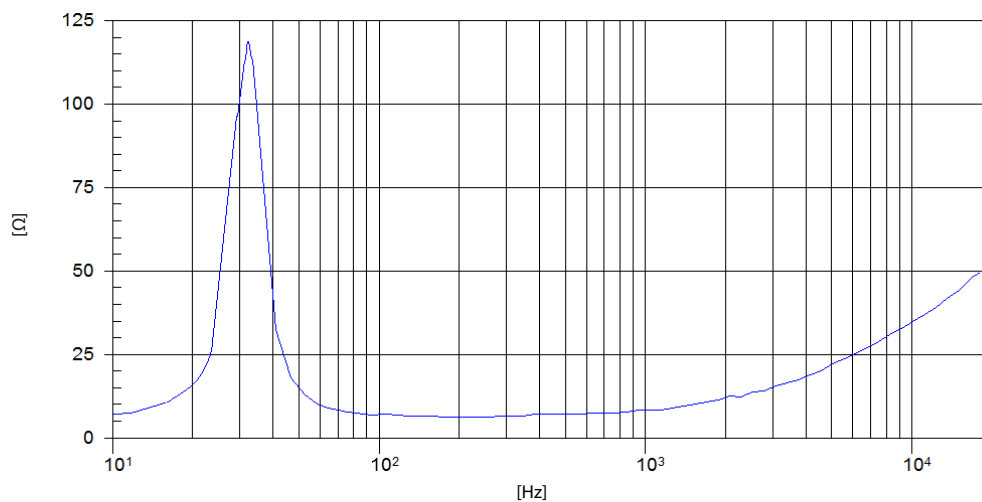
### Notes:

\* The power capacity is determined according to AES2-1984 (r2003) standard. Program power is defined as the transducer's ability to handle normal music program material.

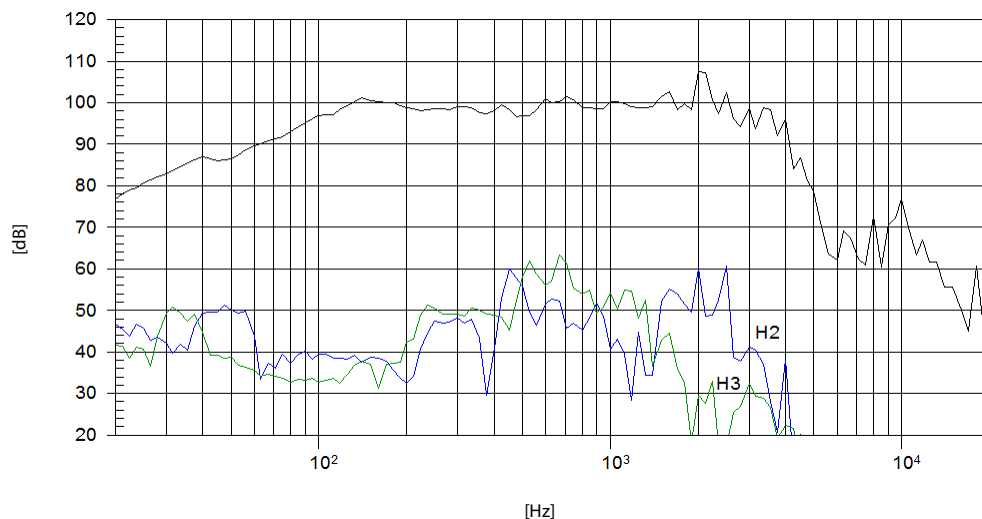
\*\* T-S parameters are measured after an exercise period using a preconditioning power test. The measurements are carried out with a velocity-current laser transducer and will reflect the long term parameters (once the loudspeaker has been working for a short period of time).

\*\*\* The  $X_{max}$  is calculated as  $(L_{vc} - H_{ag})/2 + (H_{ag}/3,5)$ , where  $L_{vc}$  is the voice coil length and  $H_{ag}$  is the air gap height.

### FREE AIR IMPEDANCE CURVE



### FREQUENCY RESPONSE AND DISTORTION



Note: On axis frequency response measured with loudspeaker standing on infinite baffle in anechoic chamber, 1W @ 1m