

KEY FEATURES

- Low weight: 3,75 kg
- 3" copper voice coil
- Excellent power handling: 450 W_{AES}
- High sensitivity: 95 dB
- High performance neodymium magnet system
- Extended controlled displacement: X_{MAX} ± 7 mm
- Extra vented magnetic structure
- Designed for compact woofer applications

TECHNICAL SPECIFICATIONS

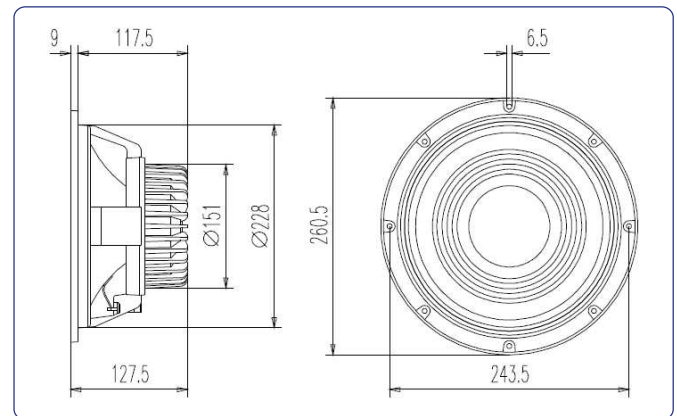
Nominal diameter	250 mm	10 in
Rated impedance		8 Ω
Minimum impedance		6,6 Ω
Power capacity*	450 W _{AES}	
Program power	900 W	
Sensitivity	95 dB	1W / 1m @ Z _N
Frequency range	55 - 4.000 Hz	
Voice coil diameter	77 mm	3 in
BI factor	19,3 N/A	
Moving mass	0,052 kg	
Voice coil length	17,5 mm	
Air gap height	8 mm	
X _{damage} (peak to peak)	30 mm	

THIELE-SMALL PARAMETERS**

Resonant frequency, f _s	55 Hz
D.C. Voice coil resistance, R _e	6,2 Ω
Mechanical Quality Factor, Q _{ms}	8,5
Electrical Quality Factor, Q _{es}	0,30
Total Quality Factor, Q _{ts}	0,29
Equivalent Air Volume to C _{ms} , V _{as}	28 l
Mechanical Compliance, C _{ms}	160 μm / N
Mechanical Resistance, R _{ms}	2,1 kg / s
Efficiency, η ₀	1,5 %
Effective Surface Area, S _d	0,035 m ²
Maximum Displacement, X _{max} ***	7 mm
Displacement Volume, V _d	245 cm ³
Voice Coil Inductance, L _e @ 1 kHz	1 mH



DIMENSION DRAWINGS



MOUNTING INFORMATION

Overall diameter	260,5 mm	10,25 in
Bolt circle diameter	243,5 mm	9,58 in
Baffle cutout diameter:		
- Front mount	228 mm	9 in
Depth	127,5 mm	5 in
Net weight	3,75 kg	8,25 lb
Shipping weight	4,25 kg	9,35 lb

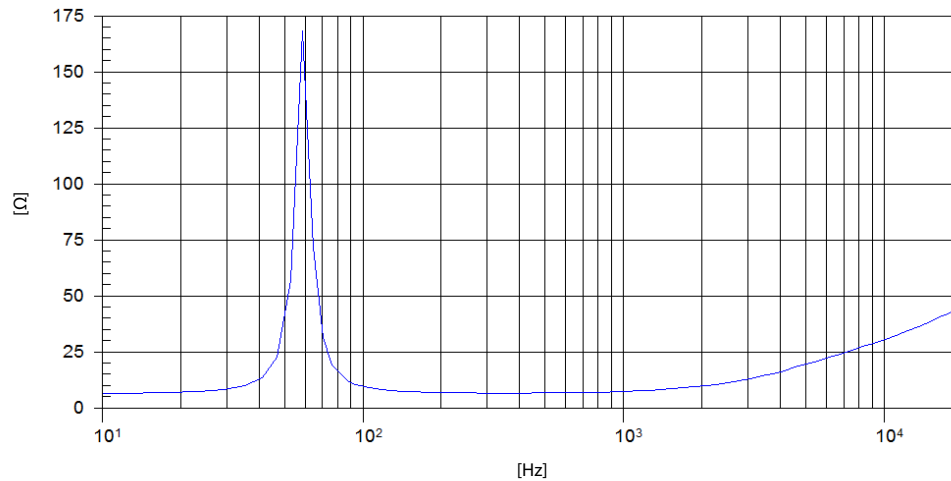
Notes:

* The power capacity is determined according to AES2-1984 (r2003) standard. Program power is defined as the transducer's ability to handle normal music program material.

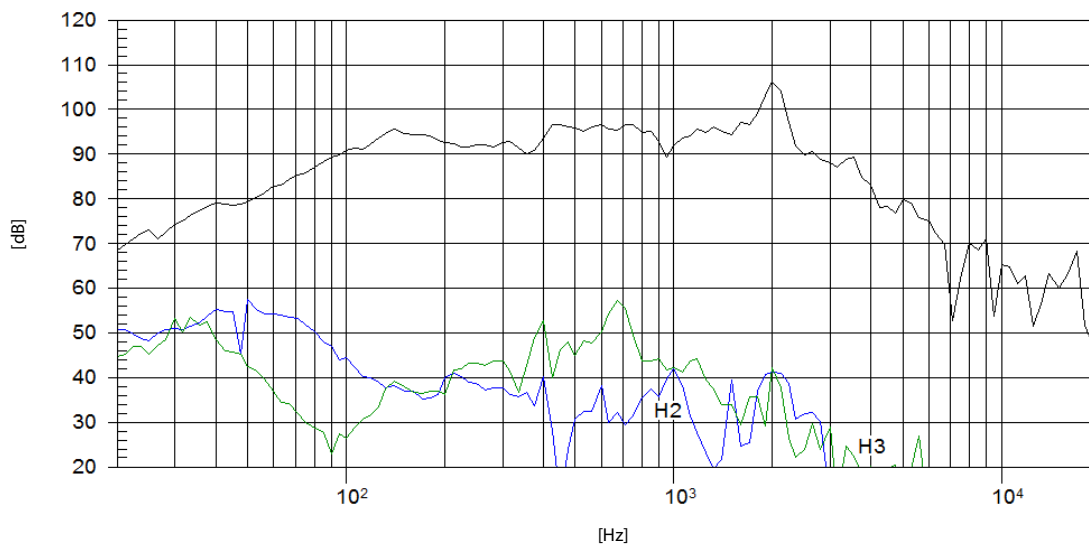
** T-S parameters are measured after an exercise period using a preconditioning power test. The measurements are carried out with a velocity-current laser transducer and will reflect the long term parameters (once the loudspeaker has been working for a short period of time).

*** The X_{max} is calculated as (L_{vc} - H_{ag})/2 + (H_{ag}/3,5), where L_{vc} is the voice coil length and H_{ag} is the air gap height.

FREE AIR IMPEDANCE CURVE



FREQUENCY RESPONSE AND DISTORTION



Note: On axis frequency response measured with loudspeaker standing on infinite baffle in anechoic chamber, 1W @ 1m