

KEY FEATURES

- Full range loudspeaker
- Excellent performance/price ratio
- High sensitivity (97 dB)
- Low distortion
- Extended frequency response (up to 17 kHz)
- Designed for all kind of public address applications

TECHNICAL SPECIFICATIONS

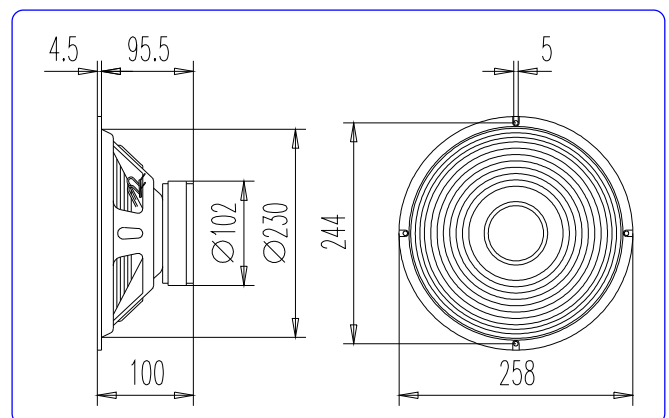
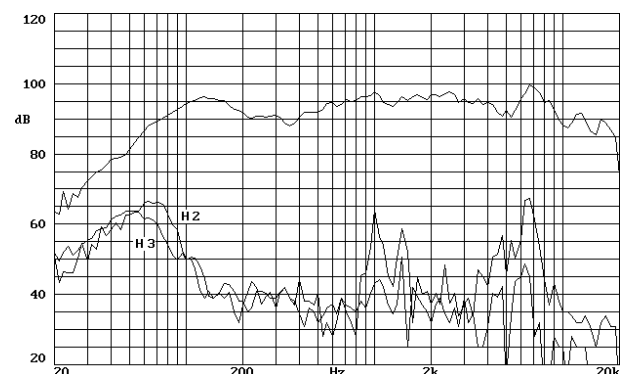
Type	Full range loudspeaker
Nominal diameter	250 mm. 10 in.
Rated impedance	8 ohms.
Power capacity	100 w RMS
Sensitivity	97 dB, 1 w @ 1 m
Frequency range	60-17000 Hz

MOUNTING INFORMATION

Overall diameter	258 mm. 10.16 in.
Mounting diameter	230 mm. 9.06 in.
Depth	100 mm. 3.94 in.
Net weight	1.55 kg. 3.41 lb.

MATERIALS

- **Basket:** metal.
- **Cone:** paper.
- **Surround:** paper.
- **Voice coil:** copper.

**DIMENSION DRAWINGS****FREQUENCY RESPONSE AND DISTORTION CURVES**

Note: on axis frequency response measured with loudspeaker standing on infinite baffle in anechoic chamber, 1w @ 1m.