

## PA Amplifiers

# EUROPOWER EP4000/EP2000

### 4000 & 2000-Watt EUROPOWER Stereo Power Amplifiers with ATR (Accelerated Transient Response) Technology

- EP4000: 2 x 2,000 Watts into 2 Ohms; 2 x 1,400 Watts into 4 Ohms; 4,000 Watts into 4 Ohms (bridge mode)
- EP2000: 2 x 1,000 Watts into 2 Ohms; 2 x 750 Watts into 4 Ohms; 2,000 Watts into 4 Ohms (bridge mode)
- Precise Power, Signal and Clip LEDs to monitor performance
- XLR and ¼" TRS input connectors for compatibility with any source
- Professional speaker connectors and "touch-proof" binding posts support most speaker wiring systems
- Selectable low-frequency filters (30 Hz or 50 Hz) remove distracting infra-sound frequencies
- Independent limiters per channel offer reliable protection against overload and distortion
- High-current toroidal transformer for ultra-high transient response and absolute reliability
- Ultra-reliable Toshiba/Fairchild power transistors
- Independent DC and thermal overload protection on each channel automatically protects amplifier and speakers without shutting down the show
- "Back-to-front" ventilation system including air filter for reliable operation
- "Built-like-a-tank," impact-resistant, all-steel 2U rackmount chassis
- High-quality components and exceptionally rugged construction ensure long life
- Conceived and designed by BEHRINGER Germany



The EP2000 and EP4000 represent everything musicians love about our popular EP1500/EP2500—excellent sound quality, road-worthy toughness and reliability, low-noise operation and incredible power. With 2,000 and 4,000-Watts respectively, the EP2000 and EP4000 amplifiers are perfect for medium-sized club gigs, mobile PA systems, church services or public spaces.

#### Everything you need, nothing you don't

The über-simple front panel controls of these amps give you all of your sound's vital signs at a glance. After flipping the MAIN switch, the POWER LED will light when the amp is ready for action. Both channels have independent gain dials as well as clip LEDs that indicate when the signal is distorted and you need to reduce the gain. There are also SIGNAL LEDs that light up when a signal is present at the input.

#### Panel discussion

A panel of switches found on the back panel offers an array of cool options to apply to both channels of the EP2000 and EP4000. The Clip Limiter lets you get

even more out of the amplifier without overdriving either it or your speaker system. Built-in circuitry automatically senses when the EP2000 or EP4000 is being overdriven into "clipping" and then momentarily reduces the input level to avoid clipping distortion. This all happens in a few thousandths of a second, so it's an inaudible way of avoiding audible clipping distortion. Of course, you can turn the Limiter off if you're feeling lucky.

Ultra-low frequency sounds (infrasonics) are caused by rickety stage vibrations, mic thumps and wind noise. While technically inaudible, they can cause a huge drain on amp power, potential damage to your speakers and a sludgy sound in the audible bass ranges. Both EP models feature a defeatable Low Cut Filter that chops off unwanted frequencies below 50Hz or 30Hz (depending on your PA system's capabilities).

The same panel contains the switches that allow you to put these amps to work in either stereo or bridge (mono) mode. Both the EP2000 and EP4000 can be linked to additional power amps by switching into parallel mode.

*Continued on next page*



# EUROPOWER EP4000/EP2000



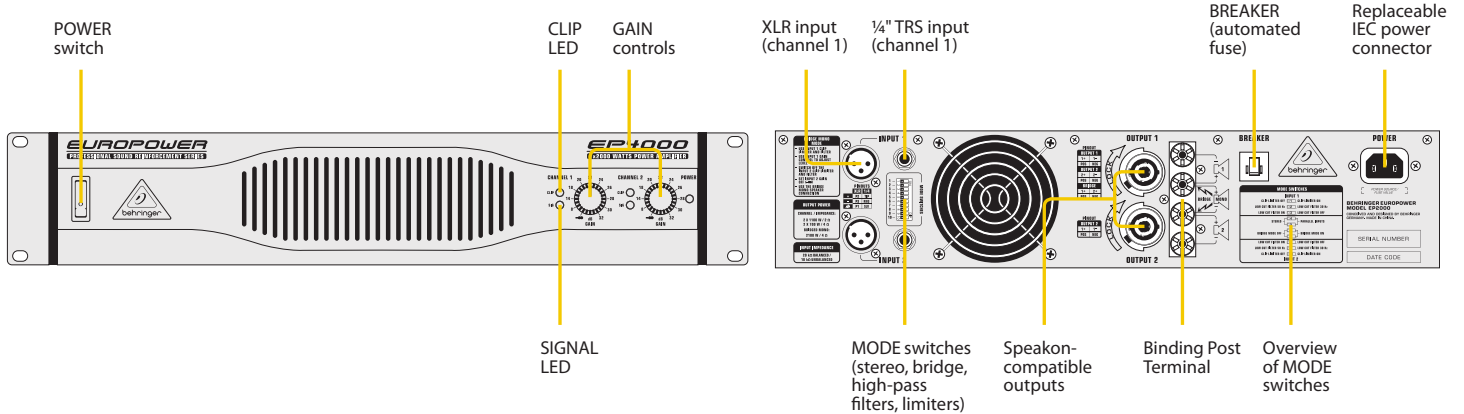
## These amps have guts

There's plenty of awesome features on the outside of the EP2000 and EP4000, but there's also a team of cool components on the inside helping it work its magic. They come loaded with famously reliable Toshiba/Fairchild power transistors as well as a high-current toroidal transformer for ultra-high transient response and further reliability. Independent DC and thermal overload protection on each channel automatically protects the amplifier and speakers from any show-stopping meltdowns. There's no need for fuses, giving you one fewer potential mid-gig headache.

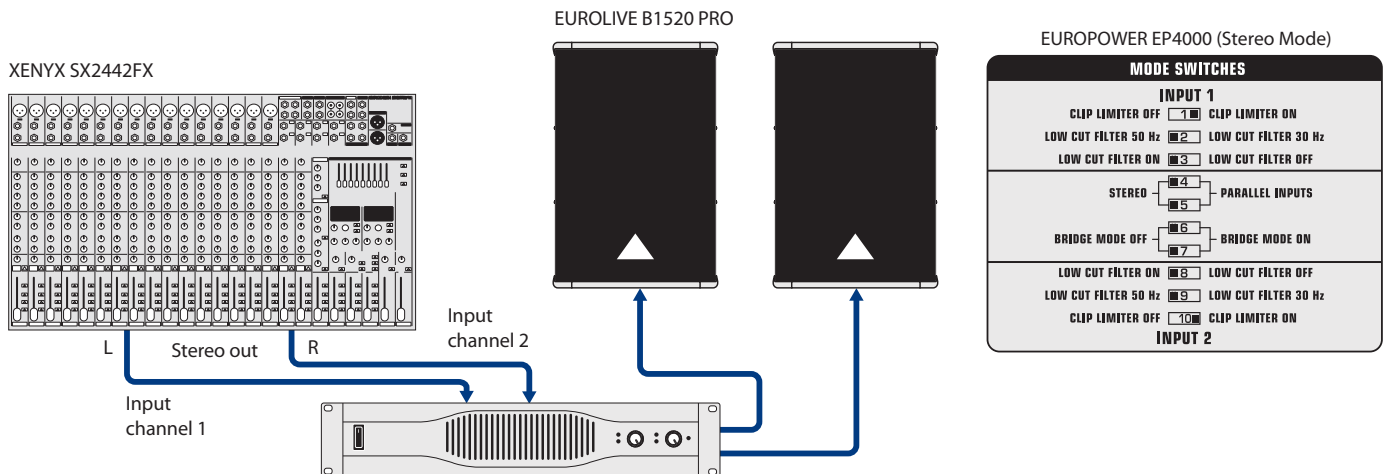
The EP2000 and EP4000 have both XLR and 1/4" TRS inputs. Even the outputs are totally flexible, consisting of Speakon-compatible outputs and five-way binding posts. Whether you're dealing with bare wire or boutique audiophile cabling, the EP2000 and EP4000 are right at home.

The exhaust fan, visible on the back panel, is the final stage of an internal front-to-back cooling system that keeps these amps working in the mild temperatures they love, even through periods of extended use. Finally, an impact-resistant, all-steel 2U rack-mount chassis helps these workhorses stand up to all the rigors of the road.

*Continued on next page*



## Stereo Mode



# EUROPOWER EP4000/EP2000

## Accelerated Transient Response delivers the knock-out punch

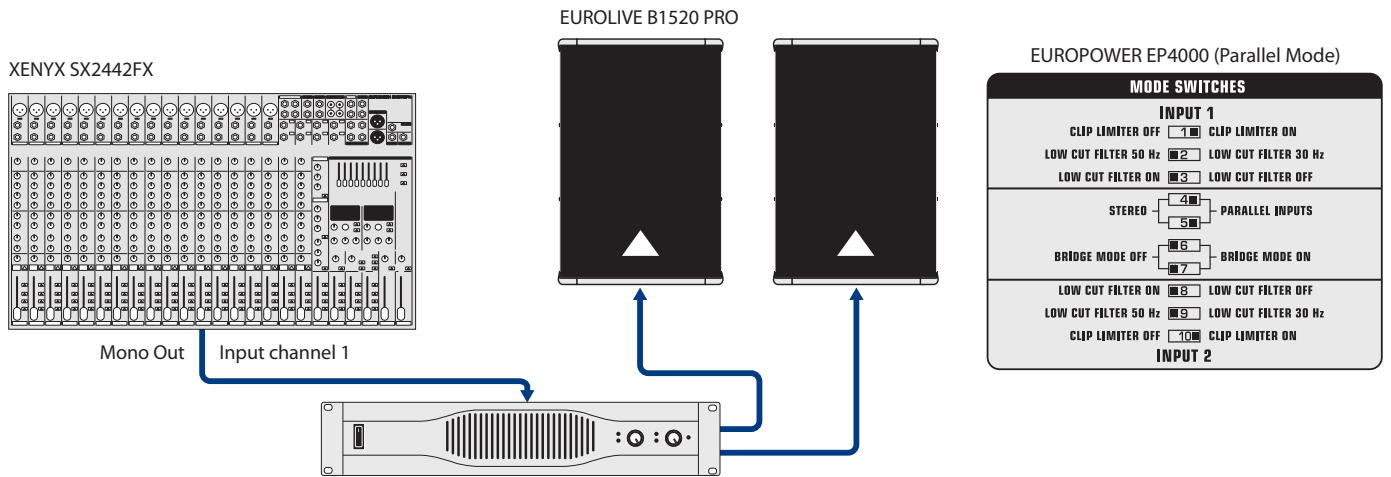
It takes huge pulses of energy (current and voltage) to propel a woofer cone out fast enough

to match a bass beat. That's called Transient Response and it's the holy grail of amp designers. By carefully selecting transistors with extremely high slew rates and optimizing other proprietary parts of our circuitry, our amps are able to react instantly to even the most demanding electronic bass impulses. If the woofers in your PA system can keep up, your audience will hear a tighter, crisper, more natural sound.

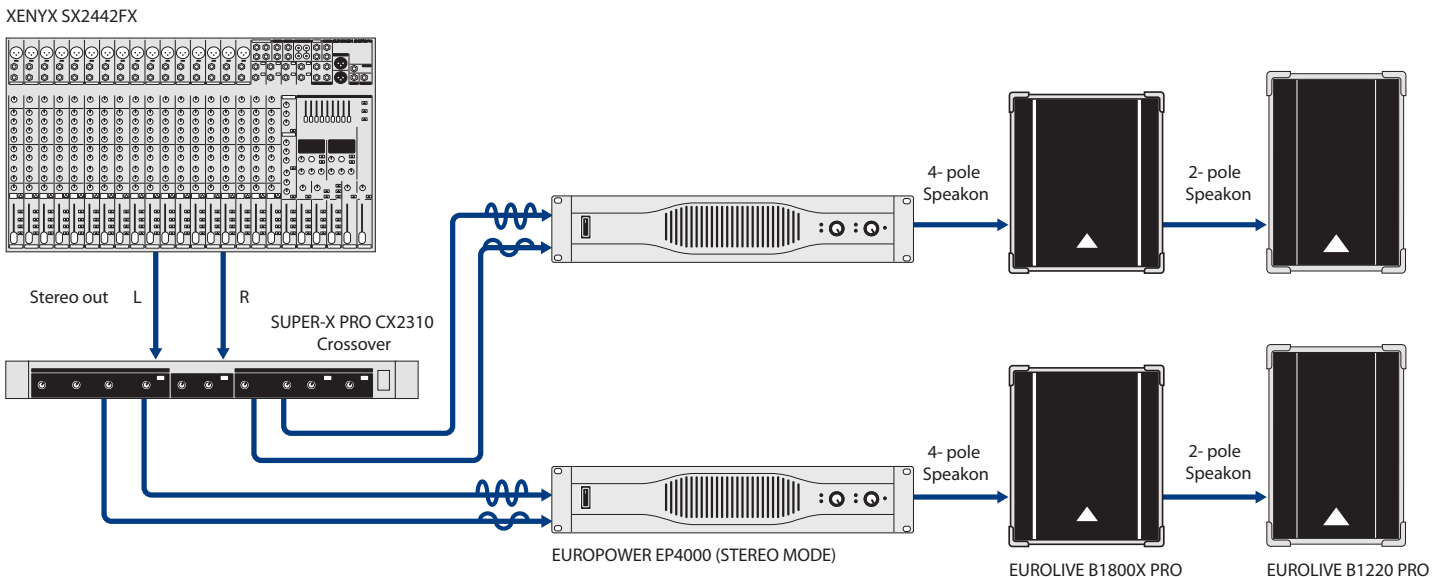
## The legend powers on

If you read the reviews of the EP2000 and EP4000's older brothers, the EP1500 and EP2500, and it's clear that those amps are renowned not only for their performance and durability, but also their astoundingly low price tags. The EP2000 and EP4000 extend that legacy to the next level. Why shell out for a "Brand-X" amp when you can get a BEHRINGER EUROPOWER amp and have money left over for other gear?

## Parallel Mode



## Bi-Amp Mode with Subwoofer



# EUROPOWER EP4000/EP2000

## OUTPUT POWER

### 20 Hz – 20 kHz @ 0.1% THD, both channels driven

#### EP4000

8 Ω per channel	550 W
4 Ω per channel	950 W
2 Ω per channel	1250 W

#### EP2000

8 Ω per channel	350 W
4 Ω per channel	500 W
2 Ω per channel	650 W

### RMS @ 1% THD (sine wave), bridged mode

#### EP4000

8 Ω	1750 W
4 Ω	2400 W

#### EP2000

8 Ω	1000 W
4 Ω	1300 W

### Peak Power, both channels driven

#### EP4000

8 Ω per channel	750 W
4 Ω per channel	1400 W
2 Ω per channel	2000 W

#### EP2000

8 Ω per channel	400 W
4 Ω per channel	750 W
2 Ω per channel	1000 W

### Peak Power, bridged mode

#### EP4000

8 Ω	2800 W
4 Ω	4000 W

#### EP2000

8 Ω	1500 W
4 Ω	2000 W

#### EP4000

Distortion	<0.02%
------------	--------

#### EP2000

Distortion	<0.01%
------------	--------

#### Frequency Response

At 10 dB below rated output power	20 Hz – 20kHz, +0/-dB
At -3 dB points	5 Hz – 50 kHz

#### EP4000/EP2000

Damping Factor	>300 @ 8Ω
Noise	Unweighted, 20 Hz to 20 kHz -100 dB

#### Voltage gain

EP4000/EP2000	40X (32 dB)
EP4000/EP2000	50X (34 dB)

#### Input sensitivity

VRMS (@ 8 Ω)	1.15 V (+3.4 dBu)
Input Impedance	10 kΩ unbalanced, 20 kΩ balanced

#### Controls

Front	Power switch, gain control (channels 1 and 2)
Rear	DIP switches (10x)

#### Indicators

POWER	green LED
CLIP	red LED, 1 per channel
SIGNAL	yellow LED, 1 per channel

#### Connectors

Inputs	Balanced XLR and ¼" TRS connectors
Outputs	Touch-proof binding posts and professional speaker connectors

#### EP4000/EP2000

Cooling	Continuously variable speed fan, back-to-front air flow
Amplifier protection	Full short circuit, open circuit, thermal and HF protection Stable into reactive or mismatched loads
Load protection	Turn-on/off muting, AC coupling

#### EP4000

Output circuit type	Class H complementary linear output
---------------------	-------------------------------------

#### EP2000

Output circuit type	Class AB complementary linear output
---------------------	--------------------------------------

#### POWER SUPPLY

#### EP4000/EP2000

Mains Voltage/Breaker	100-120 V~, 50/60 Hz 15A 220-230 V~, 50/60 Hz 8A
-----------------------	---

#### EP4000

Power consumption	2600 W
-------------------	--------

#### EP2000

Power consumption	1600 W
-------------------	--------

#### EP4000/EP2000

Mains Connector	Standard IEC receptacle
-----------------	-------------------------

#### DIMENSIONS/WEIGHT

#### EP4000/EP2000

Dimensions (HxWxD)	approx. 3.5 x 19 x 15.8" approx. 88 x 483 x 402 mm
--------------------	---

#### EP4000

Weight	approx. 36.6 lbs / 16.6 kg
--------	----------------------------

#### EP2000

Weight	approx. 34.6 lbs / 15.7 kg
--------	----------------------------

Please note these specifications are preliminary and conceptual in nature, and as such are subject to change as product development progresses. This information is supplied for market research purposes only and is not to be made public in any manner. This document is solely the property of The MUSIC Group, or one of its subsidiaries, and must be surrendered upon request of the owner.

For service, support or more information contact the BEHRINGER location nearest you:

**Europe** Tel.: +49 2154 9206 4149  
Fax: +49 2154 9206 4199  
**USA/Canada** Tel.: +1 425 672 0816  
Fax: +1 425 673 7647

**Singapore** Tel.: +65 6845 1800  
Fax: +65 6214 0275  
**Australia** Tel.: +61 03 9877 7170  
Fax: +61 03 9877 7870

**Japan** Tel.: +81 3 5281 1180  
Fax: +81 3 5281 1181

©2011 Red Chip Company Ltd. Technical specifications and appearance subject to change without notice. The information contained herein is correct at the time of printing. All trademarks are the property of their respective owners. BEHRINGER accepts no liability for any loss which may be suffered by any person who relies either wholly or in part upon any description, photograph or statement contained herein. 985-10000-00383

behringer.com

