



SILENT S-200/S-100II

English
Deutsch
Français



Antari[®]
FOG MACHINE

Read and save these instructions
Bitte lesen Sie diese Anweisungen und bewahren Sie sie gut auf
Lisez et Gardez ces instructions



User Manual

Antari S-100II Snow Machine
& S-200 Silent Snow Machine

Introduction

Thank you for choosing an ANTARI Special Effects Machine. You now own a rugged and powerful state-of-the-art machine. Prior to use, we suggest that you carefully read all of the instructions. By following the suggestions found in this user manual, you can look forward to the reliable and satisfactory performance of your ANTARI Snow S-100II and S-200 Silent Snow machine.

Please follow these operation, safety and maintenance instructions to ensure a long and safe life for both Snow Machines; the S-100II and the S-200.

CAUTION



DANGER OF ELECTRIC SHOCK!

**Keep this device away from rain
and moisture!
Never open the housing!**

- Keep this device dry.
- For inside use only. Not designed for outside use.
- For the 110V models, use 3-prong grounded electrical outlet only. Prior to use take care to determine that the unit is installed at the rated voltage.
- Always unplug your ANTARI Snow Machine before filling its tank.
- Keep the snow machine upright.
- Turn off or unplug when not in use.
- This machine is not water- or splash-proof. If moisture, water, or snow liquid gets inside the housing, immediately unplug the unit and contact a recommended service technician or your ANTARI dealer before using it again.

- There are no user serviceable parts inside. Refer to your ANTARI dealer or other qualified service personnel.
- For adult use only. This machine must be installed out of the reach of children. Never leave the unit running unattended.
- Never aim the output nozzle directly at people.
- Locate the machine in a well-ventilated area. Never cover the unit's vents. In order to guarantee adequate ventilation, allow a free air space of at least 20 cm around the sides and top of the unit.



DANGER OF BURNING!
Never touch the device during the operation!

- Never add flammable liquids of any kind (oil, gas, perfume) to the snow liquid. Pay attention to all warning labels and instructions printed on the exterior of your ANTARI S-100II and S-200 Snow Machines.
- Use only the high-quality snow liquid that your dealer recommends.
- Always make sure there is sufficient liquid in the machine's liquid tank.
- If your ANTARI machine fails to work properly, discontinue use immediately. Drain all liquid from the tank, pack the unit securely (preferably in the original packing material), and return it to your ANTARI dealer for service.



DANGER OF EXPLOSION!

Unpacking & Inspection

Open the shipping carton and verify that all equipment necessary to operate the system has arrived intact.

If any equipment is missing contact your ANTARI dealer immediately.

The shipping carton should contain the following Items:

1. Snow machine with power cable
2. SC-2 volume remote controller

3. Fluid tank
4. Hanging bracket

Before beginning your initial setup of either the ANTARI S-100II Snow Machine or the ANTARI S-200 Silent Snow machine, make sure that there is no evident damage caused by transportation. In the event that the unit's housing or cable is damaged, do not plug it in and do not attempt to use it until after contacting your ANTARI dealer for assistance.

Technical Specifications

Model	S-100II	S-200
Power Supply	AC100V/AC120V/AC230V/AC240V,50Hz-60Hz	
Heater	600W	600W
Output Volume	140ml/min	140ml / min
Tank Capacity	5liters	5liters
Fluid Consumption	600 seconds/ liter	650 seconds / liter
Weight	10 kg	10kg
Dimensions (LxWxH)	505 x 276 x 227.5 mm	525x276x228 mm
Remote Included	SC-2	SC-2
10 meter Remote extension	EXT-6	EXT-6
DMX	On-Board	On-Board
Warm-up Time	N/A	N/A

Setup

Remove all packing materials from shipping box. Check that all foam and plastic padding is removed, especially in the nozzle area.

- Place the machine on a flat surface and remove the liquid tank cap.
- Fill with ANTARI SL-5 Snow Liquid, ANTARI SL-5A Premium Snow Liquid or other dealer-recommended high-quality water-based snow or foam fluid. Any other types of fluid can damage the unit. When filled, place cap back on liquid tank.
- Firmly attach the 4-pin connector on the remote control cable to the proper input on the rear of the machine.

Installation



DANGER OF FIRE!

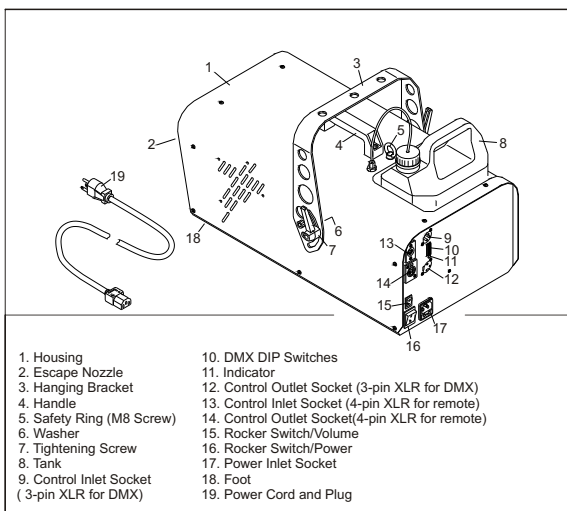
When installing the device, make sure there is no highly-inflammable material (decoration articles, etc.) Within a distance of min. 0.5 m.

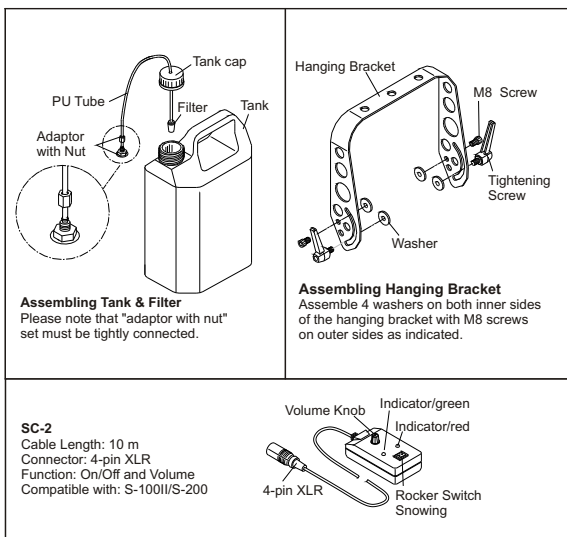
Both snow machines may be installed at floor level or suspended overhead. When mounting the unit overhead, it is important that the snow does not shoot directly at anyone's face. Whatever installation method you choose, do not allow the unit to have more than a 15 degree angle of inclination.

Important: Always monitor tank fluid level during operation. Running a snow machine or a foam machine without fluid can permanently damage the unit.

If you experience low output, mechanical noise or no output at all, unplug immediately. Check fluid level, the external fuse, remote connection, and power from the wall. If all of the above appears to be O.K., plug the unit in again. If snow does not come out after holding the remote button down for 30 seconds, check the hose attached to the tank to make sure there is fluid going through the hose. If you are unable to determine the cause of the problem, do not simply continue pushing the remote button, as this may damage the unit. Return the machine to your Antari dealer.

S-200 EXTERNAL VIEW





Operation

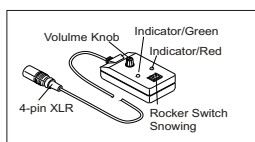
- Plug power cable into a grounded electrical outlet. Turn power switch on rear of unit to emit snow, press the appropriate button on the remote for the desired length of time.
- Two indicators on the remote control indicate power and operation status.
- Use the adjustable knob on the remote control to regulate the volume of snow output.

**When the volume is low, it will produce smaller snowflakes. When desired volume is increased, it will Produce bigger snowflakes accordingly.

Remote Operation The units can be controlled by either DMX or the SC-2 volume remote control. See the appropriate topics below:

1. SC-2 Volume Remote Control

Connect the remote control's male 4-pin plug to the machines' INPUT socket. When the machine is turned on, you have control of ON/OFF Volume functions of the S-100II or S-200 Snow Machine.



Cable length: 10 m
Connector: 4-pin XLR
Functions: On/Off and Volume
Compatible with:
S-100II and S-200

2. DMX control

- a) Connect the DMX cord to the DMX-IN socket on the rear of the machine.
- b) Test the system by activating the snow system's selected DMX channel. When the channel value is increased the snow machine should produce snow at a steadily increasing rate. It will reach 100% once the Channel is set to 255.

DMX protocol

DMX value	Feature
0-128	OFF
129-255	ON

c) Addressing:

Each device occupies 1 channel. To ensure that the control signals are properly directed to each device, they require addressing. This is to be adjusted for every single device by changing the DIP-switches as set out in the table below.

The starting address is defined as the first channel from which the device will respond to the controller. Please make sure that you do not have any overlapping channels in order to control each device correctly and independently from any other fixture on the DMX data link. If two, three or more devices are addressed similarly, they will work similarly.

Occupation of the DIP-switches:

Setting the DMX-starting address:	DIP-switch no.	1	2	3	4	5	6	7	8	9
Device number & channels	Starting address	1	2	4	8	16	32	64	128	256
Device 1 - channel 1	On	▲								
	Off		▼	▼	▼	▼	▼	▼	▼	▼
Device 2 - channel 2	On		▲							
	Off	▼		▼	▼	▼	▼	▼	▼	▼
Device 3 - channel 3	On	▲	▲							
	Off			▼	▼	▼	▼	▼	▼	▼
Device 4 - channel 4	On			▲						
	Off	▼	▼		▼	▼	▼	▼	▼	▼
Device 5 - channel 5	On	▲		▲						
	Off		▼		▼	▼	▼	▼	▼	▼

Maintenance

1. Do not allow the snow or foam liquid to become contaminated. Always replace the caps on the liquid container and the snow machine liquid tank immediately after filling.

2. Before storing away after each operation, rinse the system with pure water and let it pump for at least 1 or two minutes. This step helps to ensure a longer life-span of the motor

3. It is strongly recommended to regularly clean the dust/residue around snow machines' vent holes (on both sides of the machine). Simply use a small brush, a toothbrush for example, and gently brush in the direction from top to bottom. This step helps to ensure that minimal debris will get into the machine or causes clogging.

Snow Liquid

Depending on the desired effect, use either ANTARI SL-5 Snow/Foam Liquid for normal snow or ANTARI SL-5A Snow Liquid for fast-dissipating snow.

Save these instructions.