

## 93592 400 W 230 V

Halogen lamps, medium/high voltage, single-ended



### Areas of application

- Professional film and TV work

### Product features

- Operation at mains voltage: 120 V | 230 V | 240 V
- Color temperature: 2,900 K | 3,000 K (with longer lifespan)
- Color temperature: 3,200 K (for professional film and TV work)
- Color temperature: 3,400 K (for maximum luminous efficacy)



## Product datasheet

### Technical data

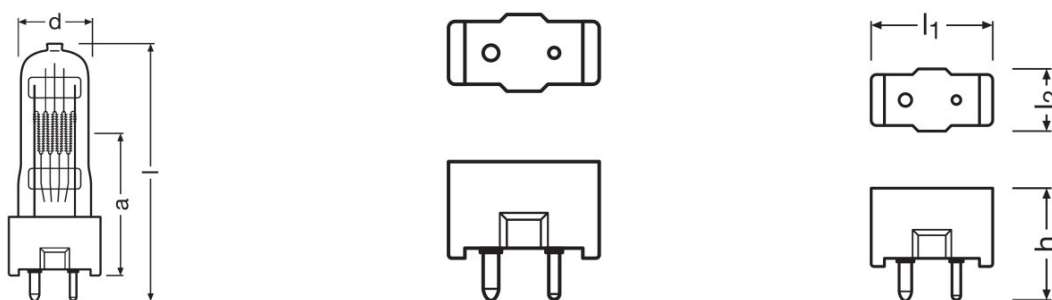
#### Electrical data

Nominal wattage	400.00 W
Nominal voltage	230 V

#### Photometrical data

Color temperature	3200 K
-------------------	--------

#### Dimensions & weight



Diameter	20.0 mm
Length	77.0 mm
Illuminated field	10.7*12.2 mm <sup>2</sup>
Filament diameter	12.2 mm

#### Lifespan

Lifespan	75 h
----------	------

#### Additional product data

Base (standard designation)	GY9.5
Product remark	Available on request

#### Capabilities

Burning position	s90
------------------	-----

#### Certificates & standards

EEL – Energy Label	C
--------------------	---

#### Country specific categorizations

## Product datasheet

<b>ANSI code</b>	FSX
<b>Order reference</b>	93592 400W 230V

---

### Country specific information

<b>Product code</b>	<b>METEL code</b>	<b>SEG-No.</b>	<b>STK-Number</b>	<b>UK Org</b>
4050300481531	OSRH93592	-	-	-

## Product datasheet



### Logistical Data

Product code	Product description	Packaging unit (Pieces/Unit)	Dimensions (length x width x height)	Volume	Gross weight
4050300481531	93592 400 W 230 V	Folding carton box 1	90 mm x 33 mm x 35 mm	0.10 dm <sup>3</sup>	31.00 g
4050300481548	93592 400 W 230 V	Shipping carton box 24	211 mm x 112 mm x 145 mm	3.43 dm <sup>3</sup>	848.00 g

The mentioned product code describes the smallest quantity unit which can be ordered. One shipping unit can contain one or more single products. When placing an order, for the quantity please enter single or multiples of a shipping unit.

### References / Links

For further information on pinch technology, please refer to the following brochure:  
"A whole lotta shakin' goin' on!" New halogen lamps with quartz pinch technology. (122 W 100 DE 08/05)

### Disclaimer

Subject to change without notice. Errors and omission excepted. Always make sure to use the most recent release.