

## 64751 1250 W 230 V

Halogen studio lamps, double-ended



### Areas of application

- Professional film and TV work
- Theater and concert stages
- Entertainment

### Product features

- Operation at mains voltage: 120 V | 230 V | 240 V
- Color temperature: 3,200 K (for professional film and TV work)
- Color temperature: 3,400 K (for maximum luminous efficacy)



## Product datasheet

### Technical data

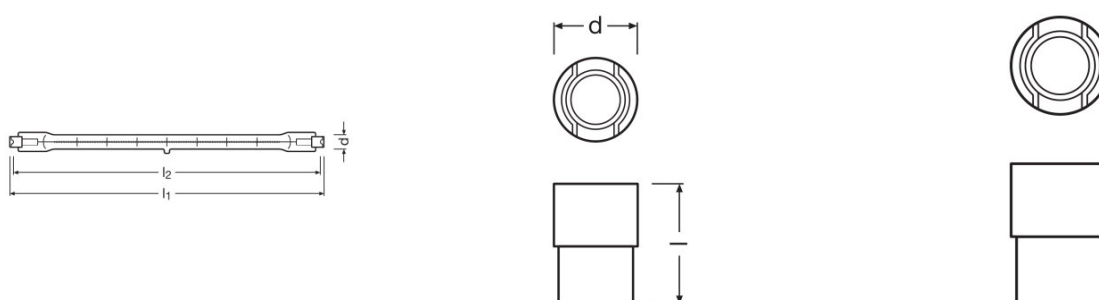
#### Electrical data

Nominal wattage	1250.00 W
Nominal voltage	230 V

#### Photometrical data

Color temperature	3200 K
-------------------	--------

#### Dimensions & weight



Diameter	12.0 mm
Length	185.7 mm
Length with base excl. base pins/connection	185.70 mm

#### Lifespan

Lifespan	200 h
----------	-------

#### Additional product data

Base (standard designation)	R7s
-----------------------------	-----

#### Capabilities

Burning position	p15
------------------	-----

#### Certificates & standards

EEI – Energy Label	B
--------------------	---

#### Country specific categorizations

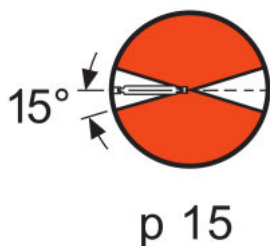
LIF	P2/12
Order reference	64751 P2/12 125

## Product datasheet

---

### Safety advice

To prevent personal injury or damage to property, halogen lamps may only be operated in suitable luminaires designed with suitable mechanisms (protective shields, grids, etc.) to ensure that in the event of a lamp bursting no parts/shards can escape and that during operation no ultraviolet radiation can escape. There must also be a warning sign to indicate that the lamps give off high levels of heat. Detailed information is available on request.



---

### References / Links

A summary of studio lamps can be found on the halogen studio lamps poster.  
For more information on halogen lamps for studio, stage and TV see the brochure:  
"Good news for show business"  
"Halogen High Voltage Lamps" cross reference list

---

### Disclaimer

Subject to change without notice. Errors and omission excepted. Always make sure to use the most recent release.