

# viper 2.6 DMX-FOG GENERATOR

Digital technology and a new design

Manufactured for  
Look – SOLUTIONS MADE IN GERMANY



powerful Output

connector for fan

compact

made in Germany

The **Viper 2.6** is a very powerful fog generator. It unites the current digital technology with proven techniek and power.

Very powerful output, simple handling and the possibility to connect an external fan are the main new features of this machine.

## Features

- Control panel

The control panel with LED-display, simple symbols allow for easy operation. It also protects the control buttons against dirt.

- Finest adjustments of the output

Digital technology makes fine adjustment of the pump possible. In steps of 1% the output can be adjusted from 0 - 99%. Thus, any desired effect from a tiny fog-cloud to the thickest fog can be produced. This enables the **Viper 2.6** to be used in both small and large locations.

- DMX 512 as standard

The **Viper 2.6** can be controlled via *DMX 512*. The connection is done with 5pin-XLR-plugs.

The DMX start address can be adjusted and saved via the control panel.

If an external fan is connected to the machine it can be controlled via DMX as well.

The machine can also be controlled with *analog (0 - 10 V)* via a lighting desk or via XLR-remote (option). This connection is done with 3pin-XLR-plugs.

A *stand-alone-mode* is also possible. The adjustments are done directly at the machine. A short press at the start button makes the machine run. Therefore a permanent pressing of the start button is unnecessary.

- Internal timer

With the internal timer the fog time can be exactly adjusted in seconds, the wait time in minutes and the output in %.

- Connector for external fan

An external fan with max. 800 watts can be connected to the **Viper 2.6**.

## Fluid

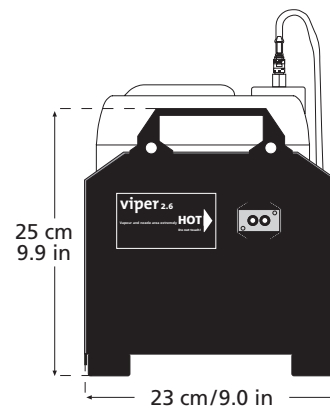
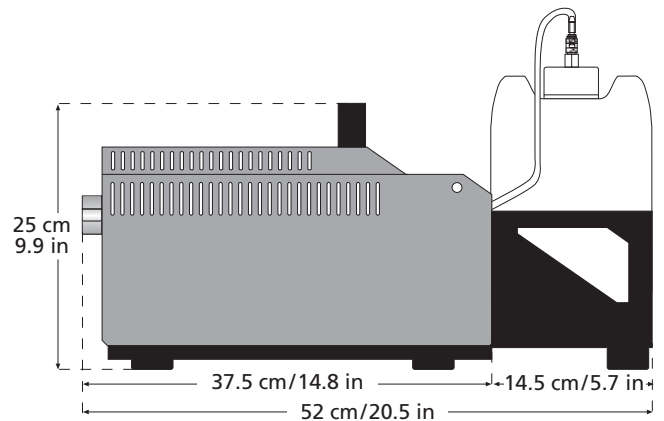
The following Look-fog fluids are available for the **Viper 2.6**:

- Quick-Fog (thick, quick disappearing fluid)
- Regular-Fog (thick, long lasting fluid)
- Slow-Fog (thick, extremely long lasting fluid)

## Technical data

<b>Procedure</b>	vaporizing fog generator
<b>Power requirement</b>	2600 Watt
<b>Voltage</b>	230V/50Hz
<b>Warm up time</b>	approx. 7 min.
<b>Fluid consumption at max. output at continuous output</b>	240 ml/min. / 0.008 ft <sup>3</sup> /min. 70 ml/min. / 0.002 ft <sup>3</sup> /min.
<b>Fluid tank capacity</b>	5 liter
<b>Fog output</b>	adjustable in 99 steps
<b>Output projection</b>	max. 25 m/ 82 ft
<b>Fogging time at &lt; 50% output</b>	continuous output
<b>external Fan</b>	max. 800 Watt
<b>Air quantity</b>	adjustable in 99 steps
<b>Control</b>	DMX 512 0 - 10 V analog Stand-alone-Mode Radio remote (Option)
<b>Temperature control</b>	Microprocessor controlled
<b>Overheating protection</b>	Heater block/Thermostat Pump/Thermal switch
<b>Dimensions (L x W x H)</b>	52 x 23 x 25 cm 20.5 x 9.0 x 9.9 in
<b>Weight without bottle</b>	approx. 12 kg

## Maße



## Advantages

- DMX as standard, analog and stand-alone-Mode
- Internal timer
- Easy handling
- Very powerful output
- Fogging output adjustable in steps of 1% from 0 - 99%
- Continuous output
- Connector for external fan with max. 800 Watt
- Easy bottle changing with quick-out connectors
- Made in Germany

## Accessories

- Hanging set (Hanging yoke complete with collection tray)
- Ducting adaptor
- XLR-remote
- Radio remote
- Case

## Service

Based on the strong partnership with the German manufacturer OTTEC Technology GmbH, Look Solutions is able to provide a quick and easy service which guarantees the high quality of all products.