



FEEL PROTECTED IN WATER



# L SERIES



## APPLICATIONS

STADIUMS, THE COMMERCIAL PLAZAS, RAILWAY STATION SQUARES, AIRPORTS



— Fix

01

FEEL PROTECTED  
IN WATER  
For L SERIES



User-Friendly, Wide-view-angle, Super-light, Noise-free, Fast installation, Easy-to-clean, Excellent quality, Super-light, High brightness





**Pierrot  
Fashion**  
www.pierrotfashion.be

**Pierrot  
Fashion**

**Openingsuren**  
ma: 10u30 doorlopend 18u30  
di: 10u30 doorlopend 18u30  
wo: 10u doorlopend 19u30  
do: gesloten  
vrij: 10u doorlopend 19u30  
zat: 10u doorlopend 18u30  
zon: 10u - 12u30

APPLICATIONS

STADIUMS, THE COMMERCIAL PLAZAS, RAILWAY STATION SQUARES, AIRPORTS

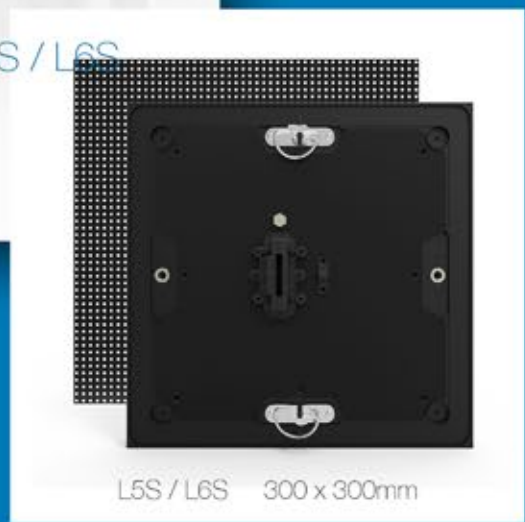
FEEL PROTECTED IN WATER

02

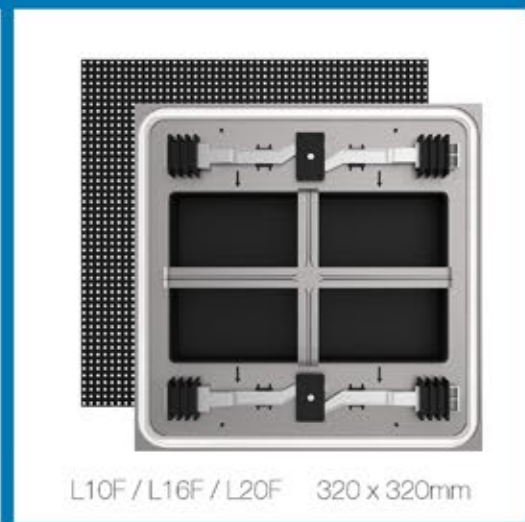


# FEEL PROTECTED IN WATER

Waterproof and anti-collision  
High quality outdoor display



L5S / L6S 300 x 300mm



L10F / L16F / L20F 320 x 320mm



L8S / L10S / L10DS / L16S 320 x 320mm

FULL FRONT SERVICED



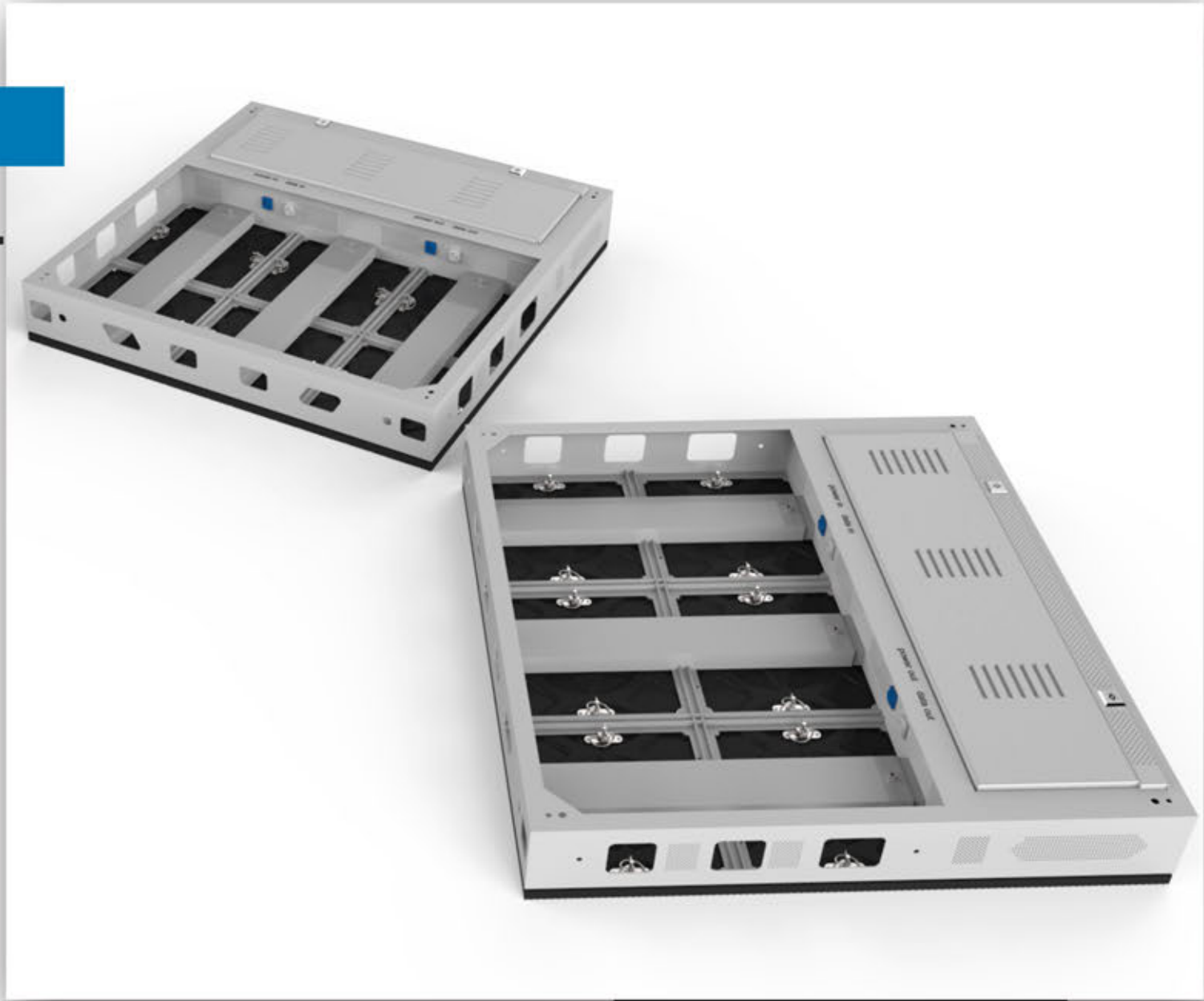
# EXCELLENT DESIGN SLIM AND LIGHT

The mechanical design with concealed wires brings a better appearance with lighter and slimmer cabinet, which can reduce the cost of transport and labor.



EXCELLENT DESIGN, SLIM AND LIGHT

03

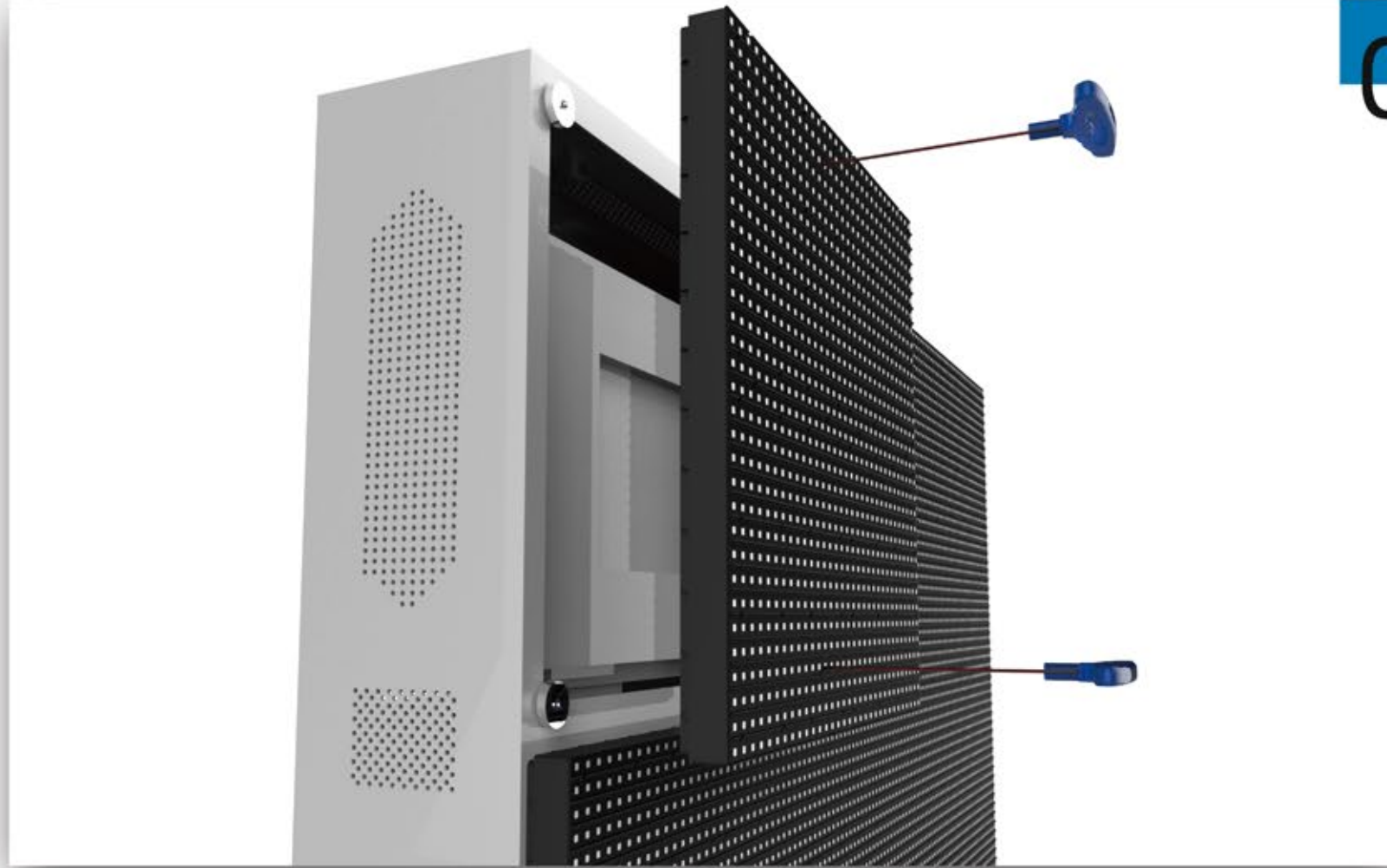




GOOD VENTILATION DESIGN



Good ventilation design fans with cooling system which makes heat dissipation fast and effective, this keeps a working temperature that fits the screen operation.



# 05



Fast and convenient front maintenance can be achieved within one minute with the maintenance tool.

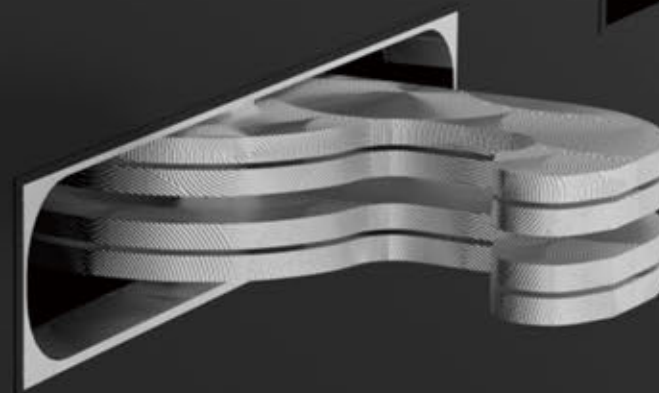
Single power control box is designed for fast, simple and efficient maintenance comparing with the traditional power control box with several doors.

FRONT AND REAR MAINTENANCE AND INSTALLATION



User-friendly, Wide view angle, Easy set up, Noise-free, Fast response, Easy to use, Quiet fan control, Smart Light, High brightness

06



Two folding handles are used on each side of the cabinet to save much space where protrusion is needed.

The high-precision double-locking lock ensures a firm and safe splicing.

FOLDING HANDLES / DOUBLE-LOCKING BUCKLE



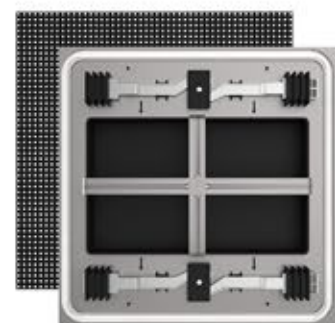


### HIGH BRIGHTNESS

The high brightness ensures good visibility in direct sunlight.

### GOOD DISSIPATION

The cooling fans along with invisible cooling holes allow the led modules and cabinets to speed up dissipation, which ensures a stable display effect.



### DOUBLE SLIDING MODULE LOCKS

It is used to fasten the cabinets. It's very firm and easy to operate. The high-roof design has been adopted to protect LEDs from hit and dust to prolong its service life.



# LOUTDOOR SERIES SPECIFICATIONS

Series		L5S	L6S	L8S	L10S	L10DS	L16S	L10F	L16F	L20F
Physical Parameter	LED type	SMD1921	SMD1921	SMD3535	SMD3535	DIP346	SMD3535	DIP	DIP	DIP
	Pixel pitch	5 mm	6 mm	8 mm	10 mm	10 mm	16 mm	10 mm	16 mm	20 mm
	Panel dimensions (WxHxD)	1200x900x130 mm	1200x900x132 mm	960x960x161 mm	960x960x161 mm	960x960x115 mm	960x960x161 mm	1280x960x174mm	1280x960x174mm	1280x960x174mm
		3.94x2.95x0.43 ft	3.94x2.95x0.43 ft	3.15x3.15x0.53 ft	3.15x3.15x0.53 ft	3.15x3.15x0.38 ft	3.15x3.15x0.53 ft	4.20x3.15x0.57 ft	4.20x3.15x0.57 ft	4.20x3.15x0.57 ft
	Pixel per panel(WxH)	240x180	200x150	120x120	96x96	96x96	60x60	128x96	80x60	64x48
	Pixel density	40000 /sqm	27778 /sqm	15625 /sqm	10000 /sqm	10000 /sqm	3906 /sqm	10000 /sqm	3844 /sqm	2500 /sqm
		43200 /panel	30000 /panel	14400 /panel	9216 /panel	9216 /panel	3600 /panel	12288 /panel	4800 /panel	3072 /panel
		3716 /sqft	2580 /sqft	1452 /sqft	929 /sqft	929 /sqft	363 /sqft	929 /sqft	357 /sqft	232 /sqft
	Module dimensions	300x300 mm	300x300 mm	320x320 mm	320x320 mm	320x320 mm	320x320 mm	320x320 mm	320x320 mm	320x320 mm
		0.98x0.98 ft	0.98x0.98 ft	1.05x1.05 ft	1.05x1.05 ft	1.05x1.05 ft	1.05x1.05 ft	1.05x1.05 ft	1.05x1.05 ft	1.05x1.05 ft
Panel material	aluminum/steel optional	aluminum/steel optional	aluminum/steel optional	aluminum/steel optional	aluminum/steel optional	aluminum/steel optional	aluminum/steel optional	steel	steel	steel
Weight	38 kg/panel	38.5 kg/panel	30 kg/panel	29 kg/panel	33.5 kg/panel	29 kg/panel	85 kg/panel	85 kg/panel	85 kg/panel	
	35 kg/m <sup>2</sup>	35.6 kg/m <sup>2</sup>	27.6 kg/m <sup>2</sup>	27 kg/m <sup>2</sup>	36 kg/m <sup>2</sup>	27 kg/m <sup>2</sup>	69.17 kg/m <sup>2</sup>	69.17 kg/m <sup>2</sup>	69.17 kg/m <sup>2</sup>	
Electronic Parameter	Processing	13 bit	15 bit	12-16 bit	12-16 bit	12-16 bit	12-16 bit	16 bit	16 bit	16 bit
	Refresh rate	≥ 2880 Hz	≥ 2880 Hz	≥ 2040 Hz	≥ 2040 Hz	≥ 2040 Hz	≥ 2040 Hz	≥ 1920 Hz	≥ 1920 Hz	≥ 1920 Hz
	Driving type	1/10 scan	1/5 scan	1/4 scan	1/2 scan	1/4 scan	Static	1/4 scan	static	static
	Signal transmission	< 100 m(CAT5)	< 100 m(CAT5)	< 100 m(CAT5)	< 100 m(CAT5)	< 100 m(CAT5)	< 100 m(CAT5)	< 100 m(CAT5)	< 100 m(CAT5)	< 100 m(CAT5)
		100m-500m (Multimode) 500m-10km (Single mode)	100m-500m (Multimode) 500m-10km (Single mode)	100m-500m (Multimode) 500m-10km (Single mode)	100m-600m (Multimode) 500m-10km (Single mode)	100m-600m (Multimode) 500m-10km (Single mode)	100m-600m (Multimode) 500m-10km (Single mode)	100m-600m (Multimode) 500m-10km (Single mode)	100m-600m (Multimode) 500m-10km (Single mode)	100m-600m (Multimode) 500m-10km (Single mode)
Optical Parameter	Brightness	6100 nits	6200 nits	6000 nits	6500 nits	7000 nits	7000 nits	10000 nits	10000 nits	10000 nits
	Hor. Viewing angle	160°	160°	160°	160°	120°	160°	110°	110°	110°
	Ver. Viewing angle	140°	140°	160°	160°	60°	160°	60°	60°	60°
Electrical Parameter	Input voltage&frequency	100-240V / 50-60Hz	100-240V / 50-60Hz	100-240V / 50-60Hz	100-240V / 50-60Hz	100-240V / 50-60Hz	100-240V / 50-60Hz	100-240V / 50-60Hz	100-240V / 50-60Hz	100-240V / 50-60Hz
	Max Power consumption	782 w/panel	660 w/panel	676 w/panel	673 w/panel	507 w/panel	703 w/panel	652 w/panel	626 w/panel	630 w/panel
	Average power consumption	260 w/panel	219 w/panel	226 w/panel	224 w/panel	170 w/panel	234 w/panel	217 w/panel	208 w/panel	217 w/panel
Circumstance Parameter	Temperature range	-20 C° / +50C° (operational)	-20 C° / +50C° (operational)	-20 C° / +50C° (operational)	-20 C° / +50C° (operational)	-20 C° / +50C° (operational)	-20 C° / +50C° (operational)	-20 C° / +50C° (operational)	-20 C° / +50C° (operational)	-20 C° / +50C° (operational)
		-40 C° / +60C° (storage)	-40 C° / +60C° (storage)	-40 C° / +60C° (storage)	-40 C° / +60C° (storage)	-40 C° / +60C° (storage)	-40 C° / +60C° (storage)	-40 C° / +60C° (storage)	-40 C° / +60C° (storage)	-40 C° / +60C° (storage)
	Humidity	10%-90% (operational)	10%-90% (operational)	10%-90% (operational)	10%-90% (operational)	10%-90% (operational)	10%-90% (operational)	10%-90% (operational)	10%-90% (operational)	10%-90% (operational)
		10%-90% (storage)	10%-90% (storage)	10%-90% (storage)	10%-90% (storage)	10%-90% (storage)	10%-90% (storage)	10%-90% (storage)	10%-90% (storage)	10%-90% (storage)
Protecting (Front/Rear)	P 65 / P 54	P 65 / P 54	P 65 / P 54	P 65 / P 54	P 65 / P 54	P 65 / P 54	P 65 / P 54	P 65 / P 54	P 65 / P 54	