

PT-AV0404 AV Matrix Switchers CREATOR Pt Series

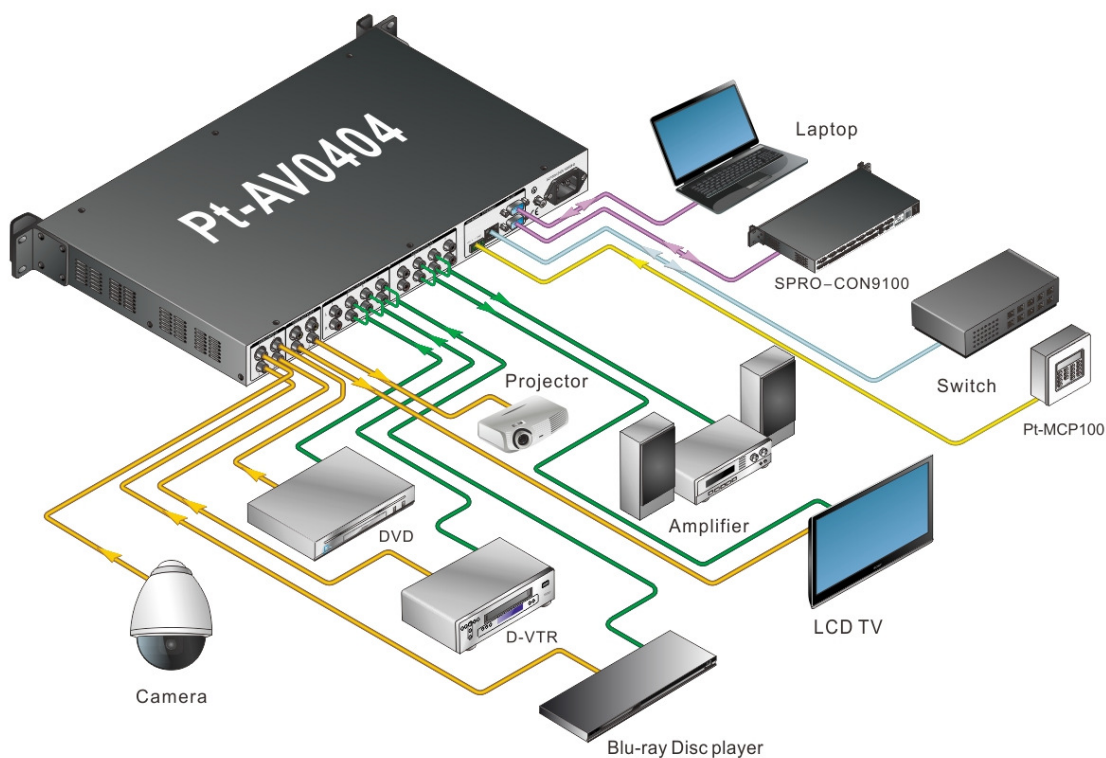
- ◆ Support to be remotely controlled by PC via Ethernet
- ◆ Available in 04x04 sizes
- ◆ Rs485 extended control keyboard supported
- ◆ Composite Video Supported
- ◆ Both simultaneous and separate switching of Audio and Video inputs supported;
- ◆ Channels switching authorization supported
- ◆ Maximally 8 users supported for simultaneous remote control by PC via Ethernet
- ◆ Aluminum alloy chassis with Illuminating crystal buttons for much more convenient operation
- ◆ Precise PCB design
- ◆ Double COM interface
- ◆ TDK power supply
- ◆ Filter power supply interface



CREATOR PT-AV0404 AV Matrix Switchers is the professional signal switching equipment with high performance intelligent control functions, enabling synchronous and asynchronous matrix switching each way of inputted signal to any outputs. Unique advanced technology has been applied to highly enhance the switching speed. And multi-types of controlling and management are supported: crystal panel buttons, and RS-485 keyboard, etc. The standard RS232 and Ethernet communication protocols are also supported to be controlled and managed by remote controlling device and other non-CREATOR branded control systems.

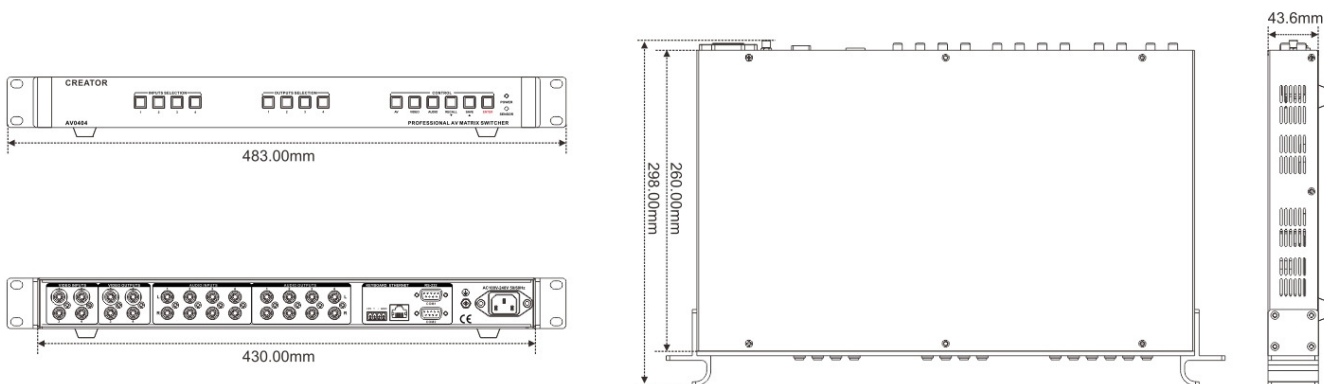
The matrix switchers can be used vastly in Broadcasting Projects, Multi-media Conference Hall, Digital Signage, Remote Education System, and Central Control Centers, etc.

Sample Diagram



■ KEYBOARD
 ■ RS-232
 ■ VIDEO
 ■ ETHERNET
 ■ AUDIO

Sample Panel Drawings



PRODUCT MODEL	Pt-AV0404
VIDEO	
Gain	0 dB
Bandwidth	150MHz (-3dB)full load,0 -10MHz:≤ +/-0.1dB,0 -30MHz:∕ +/-0.5dB
Multi-channel total talk to one channel	-50dB @ 5 MHz, -45dB @ 10 MHz
Differential phase/OS	<1.28°, 3.58MHz
Differential phase error	0.1%, 3.58-4.43MHz
Differential gain error	0.1°, 3.58-4.43MHz
Max.transmission delay	5nS(±1nS)
Switching speed	200 ns(Max.)
Signal type	Composite video
VIDEO INPUT	
Port	4 RCA
Min/Max Level	Analog signals: 0.5V p-p/ 2.0V p-p
Impedance	75 Ω
Return loss	-30dB@5MHz
Genlock	0.3V-0.4Vp-p
Max.DC bias	15mV
VIDEO OUTPUT	
Port	4 RCA
Min/Max Level	Analog signals: 0.5V p-p/ 2.0V p-p
Impedance	75 Ω
Return loss	-30dB@5MHz
Max.DC bias	±5mV(max)
Transferring type	Vertical interval
SYNCHRONOUS SIGNAL	
I/O type	NTSC 3.58, NTSC4.43, PAL,SECAM
AUDIO SIGNAL	
Input port	4 3.5mm
Output port	4 3.5mm
Gain	0dB
Frequency response	20 Hz ~ 20 kHz
THD + Noise	0.03% @ 1 kHz (under rating voltage)
Signal to noise ratio(S/N)	>90dB
Stereo separation	>80dB @ 1 kHz
Chroma and brightness interference	<-80dB@1kHz,full load
CMRR	>75dB @: 20 Hz ~ 20 kHz Vertical interval
Signal type	Stereo
Impedance	Input:>10 kΩ (Pt-AV3208/16/24/32 with balanced /unbalanced connection), Output:50Ω(Pt-AV3208/16/24/32 with unbalanced connection),Pt-AV3208/16/24/32 with100Ω(balanced connection)
Max. input level	+19.5dBu(balanced /unbalanced connection)
Gain error	±0.1dB @20 Hz ~20 kHz
Max. output level	+19.5dBu(balanced /unbalanced connection)
RS-232 PORT	
Serial port	RS-232 9-pin female D-type port
Baud rate and protocol baud rate	9600, Data bits:8bit, Stop bit:1, Non-parity check bit
Structure of serial port	2 = TX, 3 = RX, 5 = GND
KEYBOARD CONTROL PORT	
Port	4-pin phoenix jack
Use method	Along with extended keyboard MCP100
Structure of Keyboard port	+5V=DC5V, + = DATA+, -=DATA-, GND = Grand
ETHERNET CONTROL PORT	
Ethernet port	RJ-45 Female port
Ethernet control protocol	TCP/IP
Ethernet control rate	Self-adaptive 10M or 100M, full duplex or half duplex
GENERAL	
Power	100VAC ~ 240VAC, 50/60 Hz International self-adaptive power
Storage temp . temp in use	-20°~ +70°C
Storage humidity, humidity in use	10% ~ 90%
Weight	2.0kg
Ave. failure interval	30,000 h
Warranty	1 year warranty, lifetime maintenance

Specification are subject to change without notice.

AV matrix switchers features

- ◆ Quick Switch Function supported;
- ◆ Programmable Logic Array Circuit applied to support free inter-switching;
- ◆ Both simultaneous and separate switching for audio and video supported;
- ◆ Channels Switching Authorization: separate authorization for audio and video signal switching supported;
- ◆ Fully-loaded bandwidth: 150MHz (-3dB); AV32 series: 300MHz@-3dB;
- ◆ Stereo Audio Supported;
- ◆ Separate Volume Control for each output supported;
- ◆ Power-off Memorizing Function supported: can memorize all the current settings right before sudden power-off
- ◆ Illuminating crystal panel buttons and RS485 external keyboard control supported;
- ◆ 2 RS232 Ports;
- ◆ 1 Ethernet port, supporting Ethernet remote control by 8 users simultaneously;
- ◆ Built-in universal power supply;
- ◆ CREATOR Unique efficient management software supported;

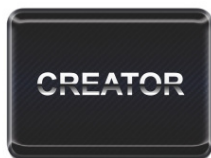
- ◆ **MCP100 Control Keyboard ;**
RS-485 extended keyboard;



- ◆ **CREATOR control and management software;**

Matrix Control Program is the specially designed management software for CREATOR matrix switchers, which realize highly efficient and accurate management operations.

Top 10 advantages of the Pt Matrix Switchers



• Silver Logo



• Aluminum Alloy Chassis



• Control Keyboard



• Precise PCB Design



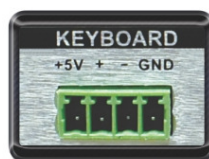
• TDK Power Supply



• Illuminating button



• Double COM Interface



• KEYBOARD Interface



• ETHERNET Interface



• Filter Power Supply Interface