

Chapter 3 WiFi Conference Unit

3.1 Product Overview

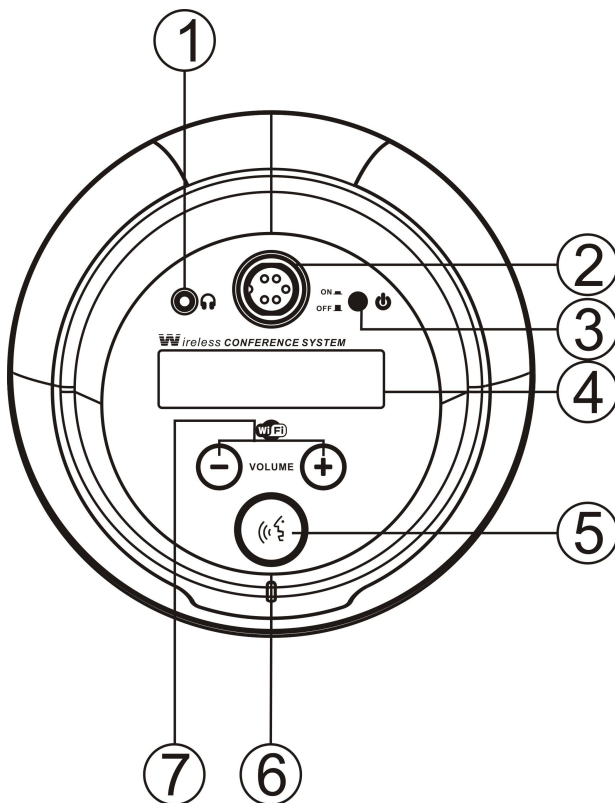
The CR-WiFi6202/4B wireless conference unit adopts special design to ensure the machine is stable, durable, and can fit any meeting room.

Using the built-in antenna design; each unit built in with high performance battery which can provide continuous speech as long as 9 hour in length; 13 hours of standby time; all functions of meeting unit can be completed with the unit panel buttons; transmission uses WiFi encryption and 2.4G RF frequency hopping technology, adopting only -ID code pairing reception speak, guarantee no unauthorized interception.

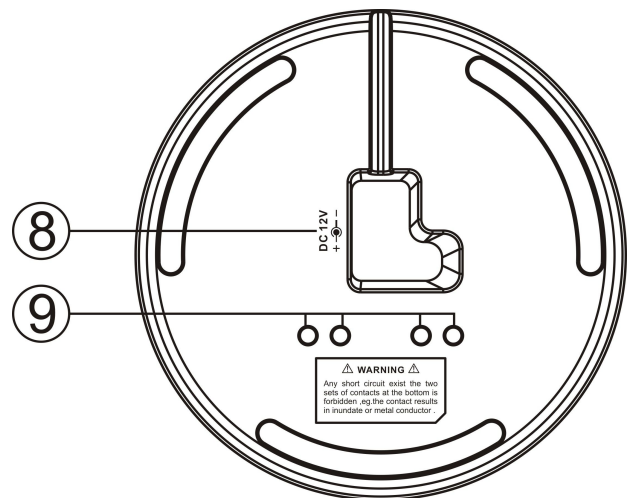
3.2 CR-WiFi6202/4B Panel

Description

Top view:



Bottom view:



- ① The headphone jack, plug in headphones can listen to the voice of the spokesman.
- ②The plug-in type microphone rod base (microphone interface), with 5 core high density air interface, with a screw knob type joint, making the equipment connection more stable.
- ③The unit machine power button, press this button to make the unit enter into the working state, at the same time, the power indicator is lit.
- ④LCD display, blue backlight and white letters display the related operating.
- ⑤The microphone switch button, press this button, the MI pole red indicator will be lit.
- ⑥The power indicator
- ⑦The volume adjusting button, it can adjust the volume of headphone and microphone simultaneously.
- ⑧The input port of power, the system power supplies DC 12V adaptive.
- ⑨Charging port of the unit, four ports charge correspondingly with the box.

3.3 CR-WiFi6202/4B Function

Characteristics

- ◆The DHCP settings, each conference unit with an independent IP address;
- ◆WiFi transmission technology, strict digital protection to ensure the privacy of the meeting, to avoid malicious eavesdropping and jamming;
- ◆Capacitor heart type direction microphone, with two colors indication lamp ring; speech is red, when it is lack of electricity, the green light flashing;
- ◆With a 3.5mm stereo headphone jack and the volume control function;
- ◆The built-in speaker, with volume control function;
- ◆LCD display with backlight, can display the microphone on / off, ID settings and other information;
- ◆Chairman unit is also affected by the largest number of speakers' restrictions;
- ◆Chairman unit has priority on closing speaking units;
- ◆Built-in rechargeable lithium battery, battery capacity to support 9 hours of continuous speech or static standby 13 hours;
- ◆Using special 5 core high density airline interface;
- ◆The professional meeting microphone, nut knob type joint connecting, can freely swap;
- ◆The built-in loudspeaker;
- ◆Automatic frequency control function, when microphone is turned on, the built-in loudspeaker automatically shut down to prevent voice reinfusion.

3.4 CR-WiFi6202/4B Operating

Instructions

3.4.1 CR-WiFi6202/4B ID Setting

Before the initial use of WIFI conference system,

the ID setting to all the meeting units is need to make sure normal use. The specific ID setup steps are as the following.

3.4.2 Using of CR-WiFi6202/4B

Once the ID is set for the first use, just press the power switch of unit in the later use, unit LCD will be lit and begin to work. When the unit is initialed, it will automatically connect to the wireless AP access device set in ID setting, and work normally after then.

When in normal work, press the microphone switch button, the red rod indicator is lit up. The speaker can start speech.

In NORMAL mode, once the number of units with opened microphone reaches the numerical value set by ACTIVE MICRO'S, the later units cannot open microphone any more.

In FIFO mode, once the number of units with opened microphone reaches the numerical value set by ACTIVE MICRO'S, the later unit which opens microphone will take the place of the first unit with opened microphone, on and on. The microphone opened by chairman machine cannot be taken over.

Long press the chairman machine microphone switch button can turn off the opened representative microphone in priority.

Volume control button can adjust the volume of headphones and loudspeakers simultaneously. Press the volume increase and decrease keys at the same time, can see the unit IP and the connected wireless AP access device.



The unit machine needs to work in the range of 30 m around the wireless AP access to ensure the good wireless signal connection.

3.5 CR-WiFi6202/4B Technical

Parameters

Connected components	
Bottom	Used for pluggable microphone socket
Earphone jack	One 3.5mm (0.14 inches) stereo headphone jack
Power supply	The DC input power supply (can access after removing the battery group)
Electrical parameters	
Frequency response	30Hz~20kHz
Earphone impedance	>32Ω <1KΩ
Output power of loudspeaker	2×15mW/32Ω
Wireless parameters	
Standard	IEEE Draft 2.0 802.11n
Radio frequency range	4.900-5.850GHz
Transmit power	15dBm
Antenna gain	2dBi
Specifications	
Output voltage of the battery	7.2V
Battery capacity	3200mAH
Continuous speech time	9 hours
Static standby time	13 hours
Longest charging time	3 hours
Color	Black
Maximum power dissipation	2.6W
Dimension	Φ=165 H=64 (mm)