

Synexis RP8

Beltpack Receiver



FEATURES

- Ergonomic design
- 18 selectable frequencies
- Channel selector buttons
- Channel lock function
- On/off and volume control
- LED to display operation or charging status
- OLED display to indicate channel, battery status, frequency and channel lock function
- Mini jack socket (3.5 mm) to connect headphones or hearing aids (e.g. induction neckloop)
- Operation with two rechargeable AA NiMH batteries or 1.5 V AA batteries
- Integrated charging contacts
- Intelligent charging technology with auto-off function
- Removable belt clip to attach the receiver to the clothing
- Can be worn around the neck when using a strap
- Soft-touch surface for pleasant handling
- Automatic NiMH / Alkaline battery recognition

OPTIONAL ACCESSORIES

DT 1 S	Single-ear-phone, 32 Ω , mono mini jack (3.5 mm), cable length 0.8 m (2.6 ft.) Order # 471.399
DT 2	Headphone, 32 Ω , stereo mini jack (3.5 mm), cable length 0.8 m (2.6 ft.) Order # 484.679
DT 3	Headphone, 32 Ω , stereo mini jack (3.5 mm), cable length 0.8 m (2.6 ft.) Order # 484.571
Synexis IL100	Induction loop, 1 m (0.3 ft.) Order # 722.944

APPLICATIONS

The compact Synexis RP2 beltpack receiver is ideal for guided tours and conferences. It can however also be used for multilingual interpretation applications. The receiver can also be used for transmitting the sound to hearing aids.

A headphone or an induction neckloop for persons with a hearing aid can be connected to the mini jack socket (3.5 mm). The connecting cable of the headphone or the induction neckloop serves as an antenna so that the wearing comfort is not affected by a separate antenna.

The operation range is approximately 328 ft (100 m) with a line of sight between transmitter and receiver.

The OLED display provides a brilliant, easily readable indication of channel, battery status, frequency and channel lock function. With the channel lock function accidental shifting of the selected channel is avoided.

The receiver can be attached to the clothing with the removable belt clip or worn around the neck with a strap.

The receiver is powered by two rechargeable NiMH batteries or 1.5 V AA batteries. Due to the integrated charging contacts the rechargeable batteries can remain in the receiver during charging. The intelligent charging technology automatically switches off the receiver when charging. The automatic NiMH / Alkaline battery recognition is an essential safety feature and excludes an incorrect operation.

COMPONENTS

Synexis RP8 Frequency range
863 - 865 MHz Order # 722.308

SUPPLIED ACCESSORY

- 2 x AA 1.2 V / 2050 mAh NiMH rechargeable batteries
- 1 x belt clip
- 1 x strap

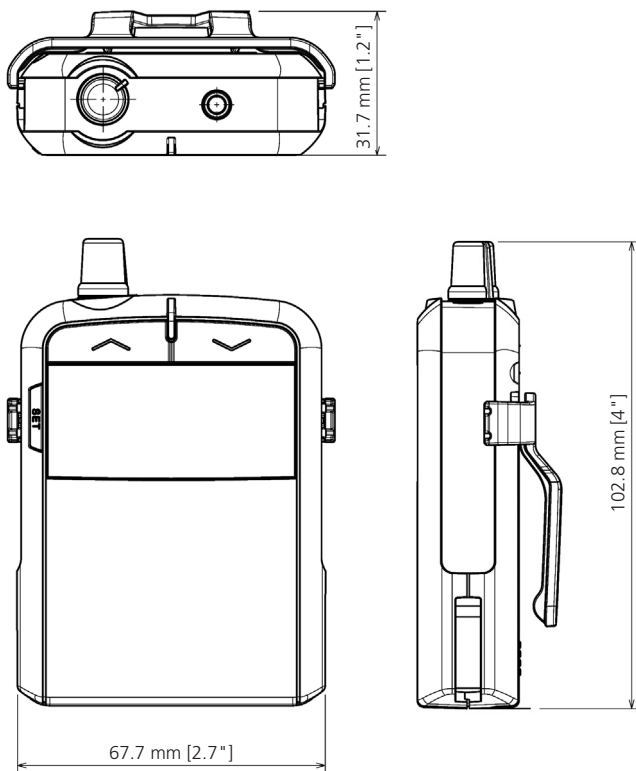
Synexis RP8

ARCHITECT'S SPECIFICATIONS

Belt-pack receiver in a compact, ergonomic design to connect standard headphones or hearing aids with mini jack connector (3.5 mm). 18 selectable frequencies in the frequency range of 863 - 865 MHz. OLED display to indicate receive channel, battery status, operating mode, frequency and channel lock function. LED to display operation or charging status. With integrated antenna, on/off switch, channel selector buttons and channel lock function to avoid accidental channel shifting. Removable belt clip and strap for high wearing comfort. Charging contacts integrated in the housing. Soft-touch surface. Integrated intelligent charging technology with alkaline detection, temperature monitoring and auto-off function. Supplied with two rechargeable NiMH batteries, type LR 6, AA, mignon with a capacity of 2050 mAh.

Manufacturer: beyerdynamic
Type: Synexis RP8

DIMENSIONS



All dimensions in mm and [inch].

2 of 2

TECHNICAL SPECIFICATIONS

Oscillation type PLL single channel
Carrier frequency 863.150 - 864.850 MHz
Adjustable frequencies 18 pre-programmed, switchable frequencies
Switching bandwidth max. 2 MHz
Modulation FM
Double intermediate frequency 130.06 MHz and 10.7 MHz
DC current (no load) 70 ± 10 mA at 2.4 V
Adjacent channel performance > 65 dB at 150 kHz
Image rejection > 60 dB
IMD rejection > 60 dB
RF spurious rejection > 60 dB
Earphone output level 900 ± 50 mV at f = 1 kHz, mod = 9 kHz
T.H.D. < 1.5%
SNR > 65 dB
Sensitivity SINAD > 20 dB at -105 ± 2 dBm
Squelch adjust OFF -105 ± 2 dBm
Earphone connector 3.5 mm mini jack socket for mono or stereo
Frequency response 70 Hz - 13 kHz with TP8
Operating range 100 m with TP8 (open field)
Operating temperature -10 °C - 60 °C
OLED display Channel, Frequency, Battery, Lock
LED display RF ok = blue
no signal = red
Charging = blue slow flashing
0.5 Hz
Full/trickle charging = steady blue
Error = red fast flashing 7 Hz
Battery 1.2 V (Ni-MH 2100 mAh) x 2 AA type, rechargeable
Operating time 20 hours
According to regulation EN301357
Abmessungen (L x B x H) 102.8 x 67.7 x 31.7 mm [4" x 2.7" x 1.2"]
Weight 90 g [0.2 lbs]