

ES945/LED & ES945SV/LED



engineered sound® microphones

Omnidirectional Condenser Boundary Microphones with Mute Switch and LED Indicator



Features

- Mounts unobtrusively in tabletops
- Low-profile element provides uniform omnidirectional polar pattern with 360° acceptance angle
- UniGuard® RFI-shielding technology offers outstanding rejection of radio frequency interference (RFI)
- Self-contained electronics eliminate the need for external power module
- Rugged all-metal case with a two-layer steel mesh grille
- Capacitive-type touch-sensitive switch allows users to easily mute/un-mute the microphone
- Integral LED ring indicates mute status—green when mic is live, red when muted
- Isolators provide mechanical dampening of mounting-surface vibration
- Available in two colors: black (ES945/LED) and silver (ES945SV/LED)

Description

The ES945/LED is a wide-range condenser microphone with an omnidirectional polar pattern. It is designed for unobtrusive tabletop use in high-quality sound reinforcement, conferencing, professional recording, television and other demanding sound pickup applications.

The microphone features a capacitive-type touch-sensitive switch that toggles between on/mute and a Red/Green LED indicator ring that displays mute status.

The microphone requires 11V to 52V phantom power for operation.

The microphone is equipped with UniGuard® RFI-shielding technology, which offers outstanding rejection of radio frequency interference (RFI).

The output of the microphone is a 3-pin XLRM-type connector.

Isolators are included with the microphone for optional mechanical isolation from the mounting surface. The microphone is enclosed in a heavy-duty die-cast case and is protected by a two-layer steel mesh grille. The low-profile housing has a low-reflectance black finish. The microphone is also available in silver as the ES945SV/LED.

Installation and Operation

The ES945/LED requires 11V to 52V phantom power for operation.

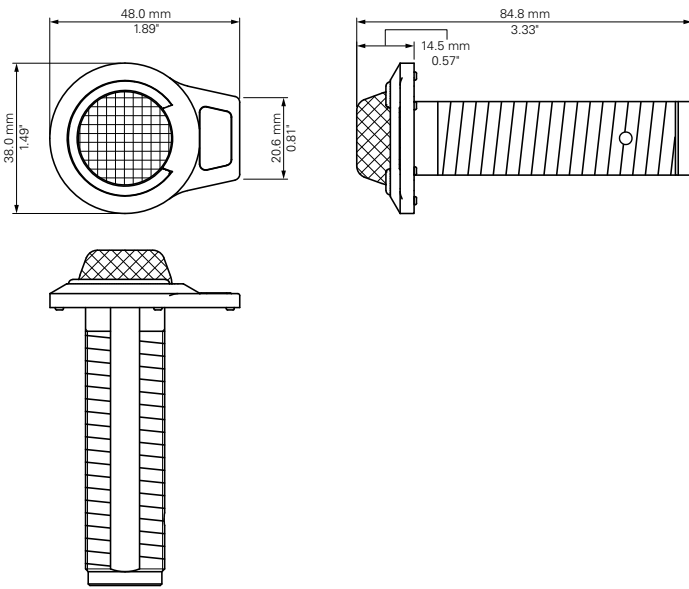
Output is low impedance (Lo-Z) balanced. The signal appears across Pins 2 and 3; Pin 1 is ground (shield). Output phase is “Pin 2 hot”—positive acoustic pressure produces positive voltage at Pin 2.

The microphone should be installed on a flat, unobstructed mounting surface. The small-diameter capsule near the boundary eliminates phase distortion and delivers clear, high-output performance.

To mount the microphone in a tabletop without the isolators, a 20.5 mm (¹³/₁₆”) diameter hole is required. To mount the microphone with the isolators, a 23.5 mm (¹⁵/₁₆”) hole is required. Place the isolators on either side of the hole to achieve mechanical isolation from the mounting surface.

The capacitive-type touch-sensitive switch enables muting functionality: press to mute, press again to un-mute. The LED indicator ring lights green when the microphone is live and lights red when the microphone is muted.

Avoid leaving the microphone in the open sun or in areas where temperatures exceed 110° F (43° C) for long periods of time. Extremely high humidity should also be avoided.



Specifications

Element	Fixed-charge back plate, permanently polarized condenser
Polar pattern	Omnidirectional
Frequency response	40-19,000 Hz
Open circuit sensitivity	-40 dB (10 mV) re 1V at 1 Pa
Impedance	200 ohms
Maximum input sound level	142 dB SPL, 1 kHz at 1% T.H.D.
Dynamic range (typical)	113 dB, 1 kHz at Max SPL
Signal-to-noise ratio¹	65 dB, 1 kHz at 1 Pa
Phantom power requirements	11-52V DC, 5.7 mA typical
Switch	Touch-sensitive control: on/mute
Weight	65 g (2.3 oz)
Dimensions	84.8 mm (3.33") long, 38.0 mm (1.49") diameter 48.0 mm (1.89") maximum width
Output connector	Integral 3-pin XLRM-type
Accessories furnished	One pair isolators

In the interest of standards development, A.T.U.S. offers full details on its test methods to other industry professionals on request.

1 Pascal = 10 dynes/cm² = 10 microbars = 94 dB SPL

¹ Typical, A-weighted, using Audio Precision System One.

Specifications are subject to change without notice.

To reduce the environmental impact of a multi-language printed document, product information is available online at www.audio-technica.com in a selection of languages.

Afin de réduire l'impact sur l'environnement de l'impression de plusieurs langues, les informations concernant les produits sont disponibles sur le site www.audio-technica.com dans une large sélection de langue.

Para reducir el impacto al medioambiente, y reducir la producción de documentos en varios leguajes, información de nuestros productos están disponibles en nuestra página del Internet: www.audio-technica.com.

Para reduzir o impacto ecológico de um documento impresso de várias línguas, a Audio-Technica providência as informações dos seus produtos em diversas línguas na www.audio-technica.com.

Per evitare l'impatto ambientale che la stampa di questo documento determinerebbe, le informazioni sui prodotti sono disponibili online in diverse lingue sul sito www.audio-technica.com.

Der Umwelt zuliebe finden Sie die Produktinformationen in deutscher Sprache und weiteren Sprachen auf unserer Homepage: www.audio-technica.com.

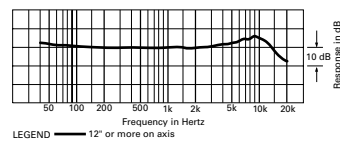
Om de gevolgen van een gedrukte meertalige handleiding op het milieu te verkleinen, is productinformatie in verschillende talen "on-line" beschikbaar op: www.audio-technica.com.

本公司基於減少對環境的影響，將不作多語言文件的印刷，有關產品訊息可在 www.audio-technica.com 的官方網頁上選擇所屬語言及瀏覽。

本公司基于减少对环境的影响，将不作多语言文档的印刷，有关产品信息可在 www.audio-technica.com 的官方网页上选择所属语言和浏览。

자원절약, 환경보호를 위해 국문 사용 설명서는 인쇄하지 않았습니다.
제품정보는 www.audio-technica.com 에서 원하는 언어 선택 후에 다운로드 받으실 수 있습니다.

frequency response: 40–19,000 Hz



polar pattern

