

PROFILE 500



FEATURES

- High definition profile-spot projector
- Double condenser optics
- 3 zoom versions, from narrow to very wide
- Lamp access at the bottom of projector
- Aluminium and steel body with cooling fins

- LP40 300W
LP47 500W
- 230V
50/60 Hz
- Gy 9.5
Lcl. 46.5 mm

MODELS

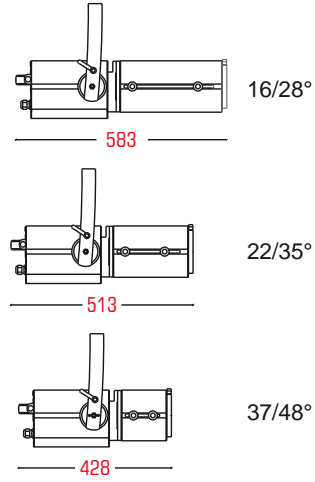
- PROFILE 500 16/28° (Cod. TE018.1628.50)
• Black colour
- PROFILE 500 22/35° (Cod. TE019.2235.50)
• Black colour
- PROFILE 500 37/48° (Cod. TE020.3748.50)
• Black colour

TECHNICAL

- Front lenses diameter 100mm
- Central slot for gobo holder or iris diaphragm
- Gel filter cut size 118x118mm
- Reverse yoke for stand mountin
- 4 shutter blades and metal filter frame included
- 1 meter cable with cable clamp

ACCESSORY

- INCLUDED TE017.FF
- INCLUDED TE67
- TE74



- PROFILE 500 16/28° **Kg** 7
- PROFILE 500 22/35° **Kg** 6,7
- PROFILE 500 37/48° **Kg** 5,6

PHOTOMETRIC

PROFILE 500

16°	DIST	2.5	5	7.5	10	12.5	15
LUX	4800	1200	533	300	192	133	
Ø(m)	0.7	1.40	2.11	2.81	3.51	4.22	

37°	DIST	2.5	5	7.5	10	12.5	15
LUX	1440	360	160	90	58	40	
Ø(m)	1.68	3.35	5.03	6.70	8.38	10	

22°	DIST	2.5	5	7.5	10	12.5	15
LUX	2560	640	284	160	102	71	
Ø(m)	0.88	1.77	2.65	3.53	4.41	5.3	

28°	DIST	2.5	5	7.5	10	12.5	15
LUX	1920	480	213	120	77	53	
Ø(m)	1.25	2.50	3.74	4.99	6.24	7.99	

48°	DIST	2.5	5	7.5	10	12.5	15
LUX	965	241	107	60	39	27	
Ø(m)	2.23	4.45	6.68	8.90	11.1	13.3	

35°	DIST	2.5	5	7.5	10	12.5	15
LUX	1360	340	151	85	54	38	
Ø(m)	1.58	3.16	4.73	6.31	7.89	9.47	

ADMISSIBLE LAMPS

- 300W: CP81 3200K 180hrs
- 300W: M38 2900K 2000hrs
- 500W: T18 3050K 400hrs
- 500W: CP82 3200K 180hrs

PROFILE 1000



FEATURES

- High definition profile-spot projector
- Double condenser optics
- 3 zoom versions, from narrow to very wide
- Lamp access at the bottom of projector
- Aluminium and steel body with cooling fins

- LP42 650W
LP43 1000W
- 230V
50/60 Hz
- Gx 9.5
Lcl. 55 mm

MODELS

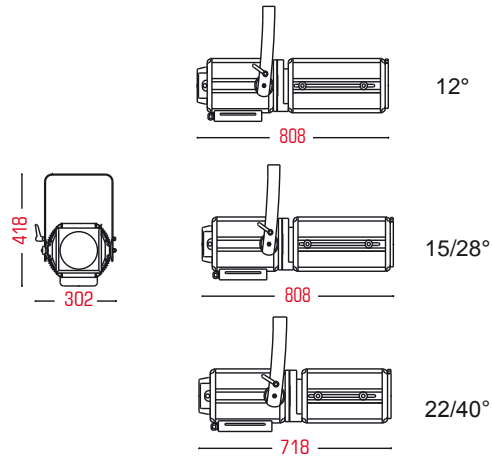
- PROFILE 1000 12° (Cod. TE021.12.100)
• Black colour
- PROFILE 1000 15/28° (Cod. TE022.1528.100)
• Black colour
- PROFILE 1000 22/40° (Cod. TE023.2240.100)
• Black colour

TECHNICAL

- Front lenses diameter 150mm
- Central slot for gobo holder or iris diaphragm
- Gel filter cut size 167x167mm
- Reverse yoke for stand mountin
- 4 shutter blades and metal filter frame included
- 1 meter cable with cable clamp

PROJECTORS

PROFILE 1000



- PROFILE 1000 12° **Kg** 11,0
- PROFILE 1000 15/28° **Kg** 13,0
- PROFILE 1000 22/40° **Kg** 12,3

ACCESSORY

- INCLUDED TE021.FF
- INCLUDED TE67
- TE66

- TE65
- Ø6 mm
B size
60 mm

ADMISSIBLE LAMPS

- 650W: T21 3050K 900hrs
- 650W: CP67 3200K 400hrs
- 1000W: T19 3050K 750hrs
- 1000W: CP70 3200K 200hrs

PHOTOMETRIC

PROFILE 1000

12°	DIST	2.5	5	7.5	10	12.5	15
LUX	11800	2950	1311	738	472	328	
Ø(m)	0.53	1.05	1.58	2.10	2.63	3.15	

15°	DIST	2.5	5	7.5	10	12.5	15
LUX	14400	3600	1600	900	576	400	
Ø(m)	0.66	1.32	1.98	2.64	3.30	3.96	

22°	DIST	2.5	5	7.5	10	12.5	15
LUX	7840	1960	871	490	314	218	
Ø(m)	0.97	1.94	2.91	3.88	4.85	5.82	

28°	DIST	2.5	5	7.5	10	12.5	15
LUX	4640	1160	516	290	186	133	
Ø(m)	1.25	2.49	3.74	4.98	6.23	7.47	

40°	DIST	2.5	5	7.5	10	12.5	15
LUX	3040	760	338	190	122	84	
Ø(m)	1.82	3.64	5.46	7.28	9.10	10.9	