

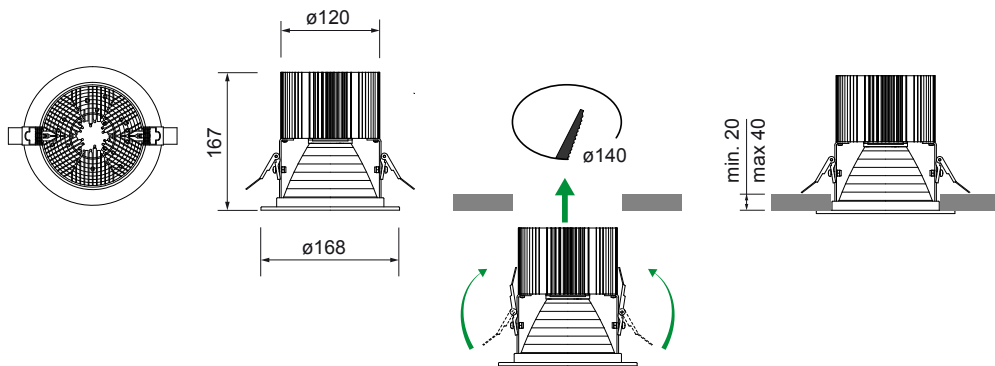
HAL LED 50 - HAL LED 90



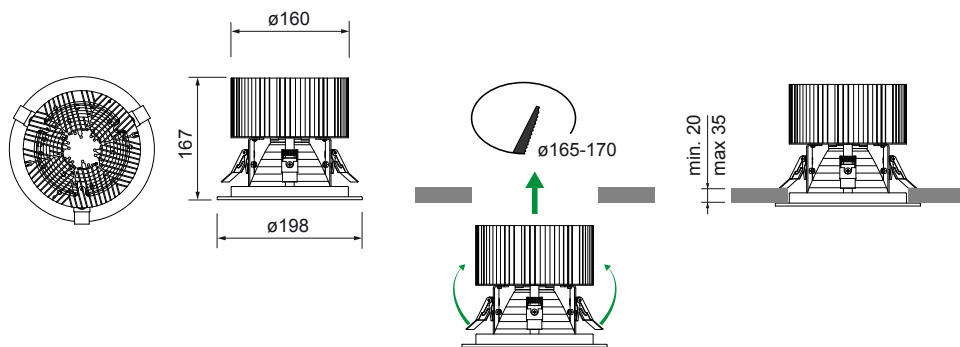

SPOTLIGHT
professional lighting for the performing arts

SAFETY WARNING: Before using this product, read the present instructions carefully. Spotlight srl will not be responsible for damage resulting from instructions not being followed.

HAL LED 50 - DIMENSIONS (mm) AND WEIGHT (1,1 Kg)



HAL LED 90 - DIMENSIONS (mm) AND WEIGHT (2,2 Kg)



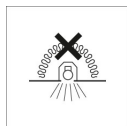
CE $\text{D} \text{---} \text{m} \text{ } \text{III} \text{ } 0,5 \text{ } \text{IP 20} \text{ } t_a \text{ max } 35^\circ\text{C}$



Devices in Class III, with protection against electric shock based on supply at extra-low safety voltage (SELV).



Do not stare at the operating light source.



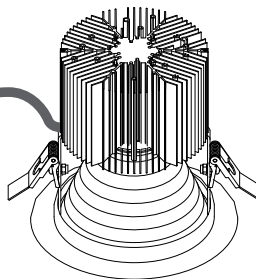
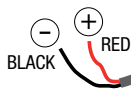
Devices not suitable for being covered with heat-insulation material.

Risk Group: 1, in compliance with Standard EN 62471

LED DRIVER C.C.

50W@1,4A

90W@2,1A



INTRODUCTION

The luminaire you have bought complies to 2006/95/EC, 2004/108/EC and 2011/65/EU European Directives. The label on the side of the luminaire lists the following information:

- Model
- Mains supply voltage (V)
- Lamp wattage (W)
- Protection index (IP)
- maximum allowed ambient temperature in °C
- minimum flammable surface distance

INSTALLATION

- The luminaire has been designed for professional use only
- Do not direct the light beam straight into somebody's eyes
- Remember to connect the safety cable, if required by local health and safety regulations

ELECTRICAL CONNECTIONS

The luminaire has been designed to operate with a 100V to 240V supply, 50-60Hz.

Before and during the installation, make sure you follow the guidelines below:

- Always check the earth continuity connection for the line being used.
- Ensure the required voltage of the unit is the same as the supplied one.
- The unit is designed for indoor use: if it is to be used outdoor, ensure it is protected from dampness and rain. (IP 20)
- This unit **cannot be connected to a dimmer.**

MAINTENANCE

Do not open the fixture. Maintenance should be performed only by the manufacturer or by its service agent.

The luminaire must be serviced at least once a year, to check the integrity of its electrical and mechanical parts and to keep software updated.

RECYCLING

The product must be recycled or disposed of, according to Directive 2002/96/CE.

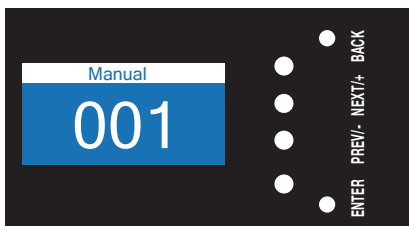


OPERATING MODE

The luminaire is designed to be used in different operating modes:

- LOCAL POTENTIOMETER
- DMX
- RDM

DISPLAY INTERFACE



MENU

When switched on, the installed software version is displayed, followed by the display of the default settings, ie the currently set operating mode:

- **Manual**, for use with a potentiometer
- **1-3-channel mode**, for DMX/RDM mode

followed by the DMX address assigned to the unit. Pressing the ENTER key you access the settings and browse through the submenus by pressing the NEXT and PREV buttons, which in case of value type

entries will have the function of increasing or decreasing the values; the changes can be confirmed with the ENTER button or canceled with the BACK button.

Struttura del menu - MENU GENERALE

Item	Value	Def	Description
Dmx Settings			Dmx settings submenu
Options			Optional settings submenu
Info			Information submenu

MENU DMX SETTING

Item	Value	Def	Description
Dmx Address	1..xxx	1	Dmx Address
Dmx Personality	3 channels mode 2 channels mode 1 channels mode	1 channels mode	Dmx Mode

MENU OPTIONS

Item	Value	Def	Description
LED Delay	OFF / 30, 60 ... 600 ms	120 ms	Buffer time on LED outputs
Dimming Curve	LINEAR QUADRATIC	Quadratic	Gamma Correction
Out Frequency	500, 800,1000,1500... 10000,11000, 12000... 20000 Hz	1000 Hz	PWM LED Frequency
Led Boost (*)	---	---	---
Fan Mode (*)	---	---	---
Display Rotat.	STANDARD ROTATED	Standard	180 ° rotation of the display. Standard = keys to the right of the display
Display Standby	OFF ON	OFF	By selecting ON the display turns off automatically after 60 seconds of inactivity
Default Set			It sets the default for all the user parameters
Factory Setting	For the Manufacturer only		Factory default setting

(*) Not available with this fixture

MENU INFO

Item	Value	Description
LED Temperat.	XX°C	LED temperature (*)
Board Temperat.	XX°C	Motherboard edges temperature
Led Time	00 Hr - 00 min	Output operation time
Unit Time	00 Hr - 00 min	Unit operation time
Software Version	V. Release date	It displays the software version

(*) Not available with this fixture

Mappa DMX

Mode	Number of Channels
3 CH	3
2 CH	2
1 CH	1

DMX Personality 3: 3 channels mode

#	Nome	Descrizione	
1	DIMMER	0..255	Dimmer from OFF (level 0) to ON (level 255)
2	DIMMER FINE	0..255	Dimmer fine from OFF (level 0) to ON (level 255)
3	STROBO	0	INACTIVE STROBO
		1..255	Strobo from slow (3,86 s) to fast (30 ms)

DMX Personality 2: 2 channels mode

#	Nome	Descrizione	
1	DIMMER	0..255	Dimmer from OFF (level 0) to ON (level 255)
2	STROBO	0	INACTIVE STROBO
		1..255	Strobo from slow (3,86 s) to fast (30 ms)

DMX Personality 1: 1 channels mode

#	Nome	Descrizione	
1	DIMMER	0..255	Dimmer from OFF (level 0) to ON (level 255)

INPUTS PRIORITIES: LTP

The last input (DMX or Potentiometer) that is modified has priority over the others.

On the display, in the main screen, if the last received signal comes from the potentiometer, MANUAL is indicated, while if the last received signal is DMX the current DMX mode is indicated.

Absence of DMX signal

In the absence of a DMX signal, the last value received is retained during normal operation.

In the absence of DMX signal at startup, instead, the value set by the potentiometer has priority.

RDM

This fixture supports the RDM protocol, latest version (ANSI E1.20 - 2010). The following parameters are supported:

Plasa/ESTA Denomination	Number of Channels
DEVICE_INFO	Reading of the following parameters: - RDM protocol version - Device Model ID - Product category - ID version sw - Number of DMX channels - DMX mode index - DMX address - Number of sub-devices - Number of sensors
IDENTIFY_DEVICE	LEDs power on to allow to visually identify the fixture
DMX_START_ADDRESS	DMX address setting/reading
SOFTWARE_VERSION_LABEL	Text description version sw
SUPPORTED_PARAMETERS	List of supported parameters
DMX_PERSONALITY	DMX mode setting
DMX_PERSONALITY_DESCRIPTION	Obtaining textual description of DMX mode
DEVICE_MODEL_DESCRIPTION	Text description of the device model
MANUFACTURER_LABEL	Text description manufacturer
SENSOR_DEFINITION, SENSOR_VALUE	Display of the values read by the temperature sensor, expressed in tenths of Celsius degree

